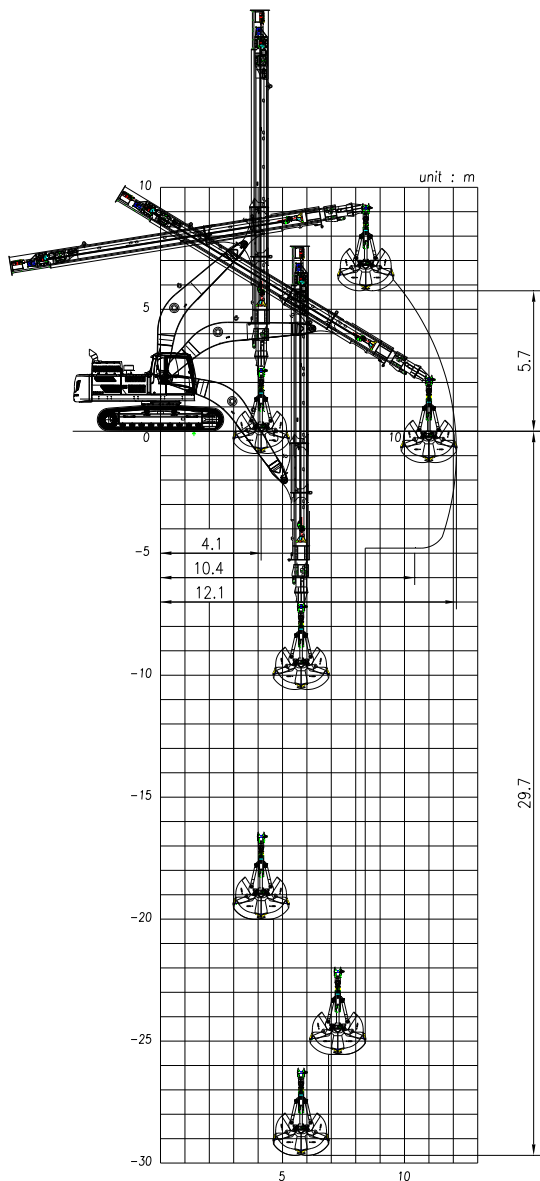
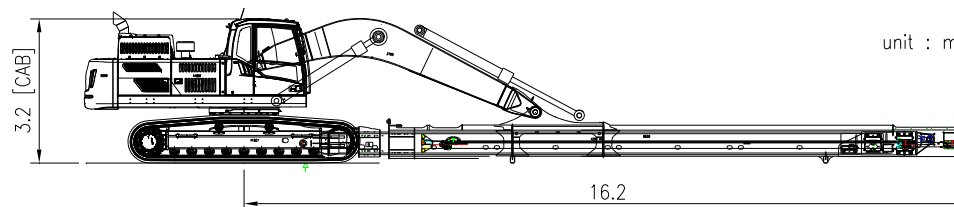


# EC380DL with VTD38-99 (29.7m)

## Working range



## Shipping Dimension



## Weight (without attachment , cab modification)

|                           |            |    |        |
|---------------------------|------------|----|--------|
| Base machine (shoe 600mm) |            | kg | 24,518 |
| CWT                       | Standard   | kg | 7,550  |
|                           | Additional | kg | 2,700  |
| Front (working equipment) |            | kg | 10,400 |
| Total                     |            | kg | 45,168 |

## Component

|           |                   |      |          |
|-----------|-------------------|------|----------|
| STD. Boom | Boom length       | m    | 6.45     |
| TD kit    | Telescopic Dipper | -    | VTD38-99 |
|           |                   | kg   | 6,600    |
|           | Clamshell Bucket  | cu.m | 1.4      |
|           |                   | kg   | 2,025    |
| Cylinder  | Boom              | -    | EC380D   |
|           | Arm               | -    | EC380D   |

Sliding cab is available. Refer to "Cabin Modification" for details.