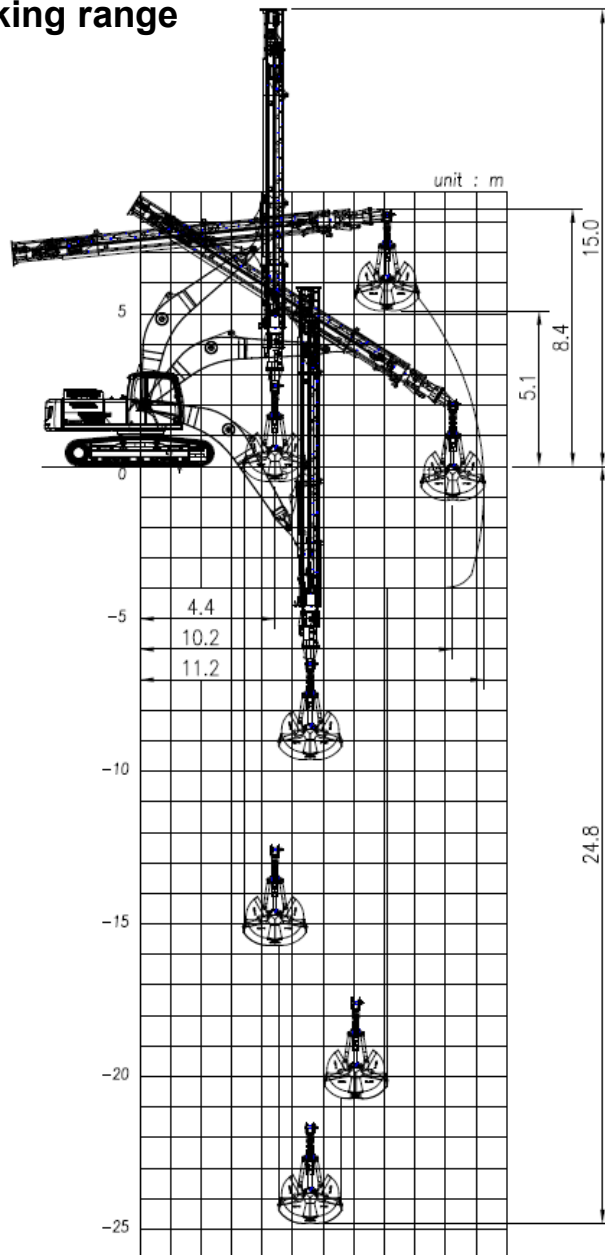
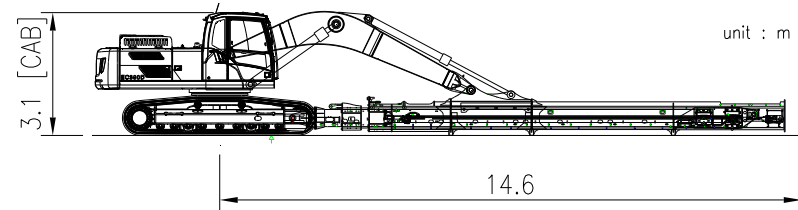


EC300DL with VTD30D-82 (24.8m)

Working range



Shipping Dimension



Weight (without attachment , cab modification)

Base machine (shoe 600mm)		kg	19,777
CWT	Standard	kg	5,500
	Additional	kg	3,000
Front (working equipment)		kg	9,050
Total		kg	37,327

Component

STD. Boom	Boom length	m	6.2
TD kit	Telescopic Dipper	-	VTD30-82
		kg	5,800
	Clamshell Bucket	cu.m	1.0
kg		1,620	
Cylinder	Boom	-	EC300D
	Arm	-	EC300D

Sliding cab is available. Refer to "Cabin Modification" for details.