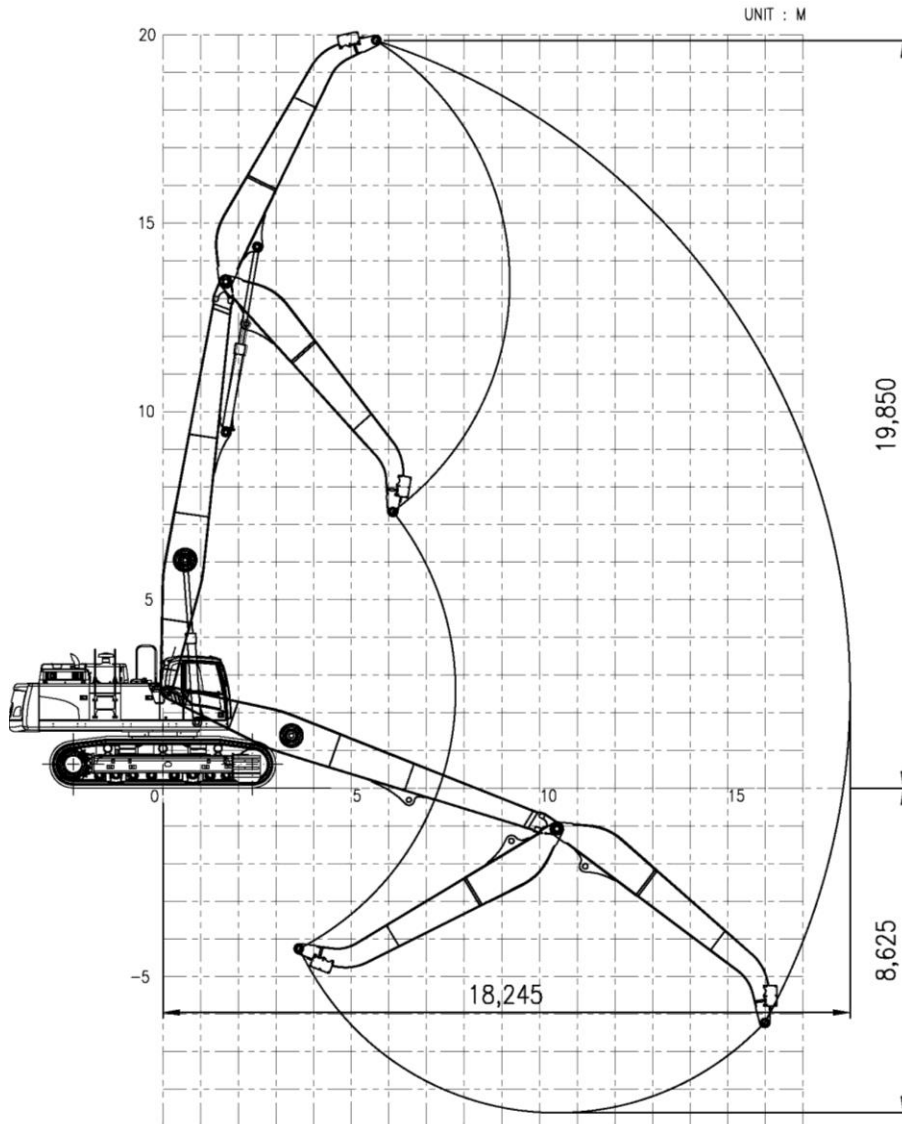
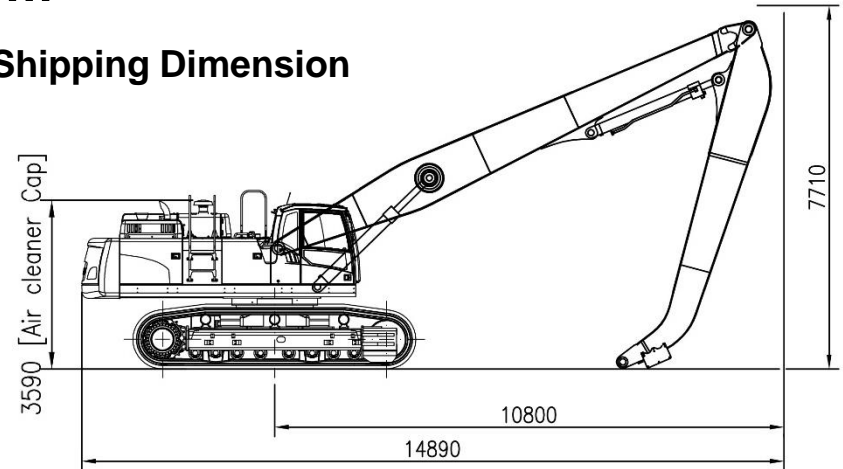


# EC750DL with VMH75-60-2P (18.2m)

## Working range



## Shipping Dimension



## Weight (without attachment , cab modification)

Base machine (shoe 650mm)		kg	44797
CWT	Factory CW	kg	12700
	Additional	kg	3000
Front (working equipment)		kg	12700
Total		kg	73197

## Component

MH kit	Boom length	m	11.0
	-	m	
Cylinder	Arm length	m	7.5
	Boom	-	EC750D
	Arm	-	EC750D
Recommended Orange grapple		m <sup>3</sup> /kg	
Recommended height of cab riser		mm/kg	

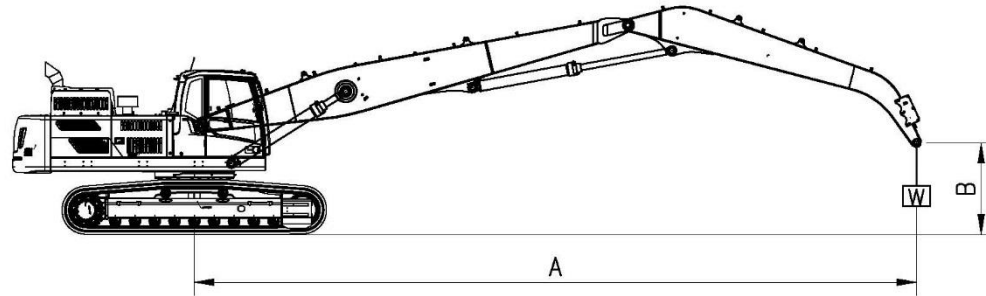
Elevating cab is available. Refer to "Cabin Modification" for details.

# EC750DL with VMH75-60-2P (18.2m)

## Lifting capacity

At arm end without bucket.

Implement pressure : 350 kgf/cm<sup>2</sup>



B \ A	4.5m		6.0m		7.5m		9.0m		10.5m		12.0m		13.5m		15.0m		16.5m		18.0m		Max. REACH								
	Along UC	Across UC	Along UC	Across UC	Along UC	Across UC	Along UC	Across UC	Along UC	Across UC	Along UC	Across UC	Along UC	Across UC	Along UC	Across UC	Along UC	Across UC	Along UC	Across UC	Along UC	Across UC	m						
19.00																							*16474	*16474	@6.64				
18.0m							*13384	*13384																*12831	*12831	@9.65			
16.5m							*12723	*12723	*11500	*11500														*10750	*10750	@11.73			
15.0m									*11174	*11174	*10220	*10220													*9543	9232	@13.32		
13.5m									*11039	*11039	*10063	*10063	*9249	*9249											*8725	7842	@14.58		
12.0m									*11051	*11051	*10032	*10032	*9176	*9176	*8418	7557									*8114	6896	@15.6		
10.5m							*12535	*12535	*11185	*11185	*10095	*10095	*9183	*9183	*8382	7586									*7627	6220	@16.42		
9.0m							*12917	*12917	*11422	*11422	*10230	*10230	*9243	9127	*8385	7509	*7568	6189							*7215	5725	@17.07		
7.5m							*15677	*15677	*13416	*13416	*11727	*11727	*10409	*10409	*9331	8894	*8406	7364	*7546	6131					*6849	5362	@17.56		
6.0m							*16608	*16608	*13965	*13965	*12062	*12062	*10598	10458	*9420	8609	*8422	7176	*7506	6024					*6508	5100	@17.92		
4.5m									*14477	*14477	*12357	12288	*10755	10009	*9482	8299	*8410	6966	*7428	5891	*6319	4999			*6174	4921	@18.14		
3.0m									*14835	14520	*12552	11649	*10834	9562	*9480	7988	*8335	6747	*7287	5750	*6100	4933			*5832	4816	@18.24		
1.5m									*14907	13679	*12565	11068	*10789	9155	*9370	7693	*8167	6543	*7049	5618	*5739	4871			*5466	4780	@18.21		
0m							*17685	16591	*14620	13023	*12332	10586	*10556	8802	*9115	7441	*7871	6369	*6676	5509	*5157	4834			*5060	4811	@18.06		
-1.5m									*16631	16078	*13945	12580	*11815	10234	*10108	8540	*8675	7248	*7397	6238	*6111	5439			*4591	*4591	@17.79		
-3.0m									*10474	*10474	*15092	*15092	*12857	12318	*10983	10020	*9387	8363	*8000	7126	*6695	6166	*5259	*5259			*4035	*4035	@17.37
-4.5m	*9124	*9124	*12498	*12498	*13079	*13079	*11367	*11367	*9794	*9794	*8360	8290	*7030	*7030	*5675	*5675	*3929	*3929							*3355	*3355	@16.82		
-6.0m			*11441	*11441	*10621	*10621	*9458	*9458	*8207	*8207	*6958	*6958	*5677	*5677	*4187	*4187									*2501	*2501	@16.1		
-7.5m					*7686	*7686	*7066	*7066	*6164	*6164	*5088	*5088	*3788	*3788															

unit : kg

- Notes :
1. Machine in "implement Pressure for lifting capacities.
  2. The above loads are in compliance with SAE J1097 and ISO 10567 Hydraulic Excavator lifting capacity Standards.
  3. Rated loads do not exceed 87% of hydraulic capacity or 75% of tipping load.
  4. Rated loads marked with an asterisk(\*) are limited by hydraulic capacity rather than tipping load.

# EC750DL with VMH75-60-2P (18.2m)

Attachment

Orange Grapple / Model : SOG60-1005H

1.0cu.m / 2,600kg included yoke weight

