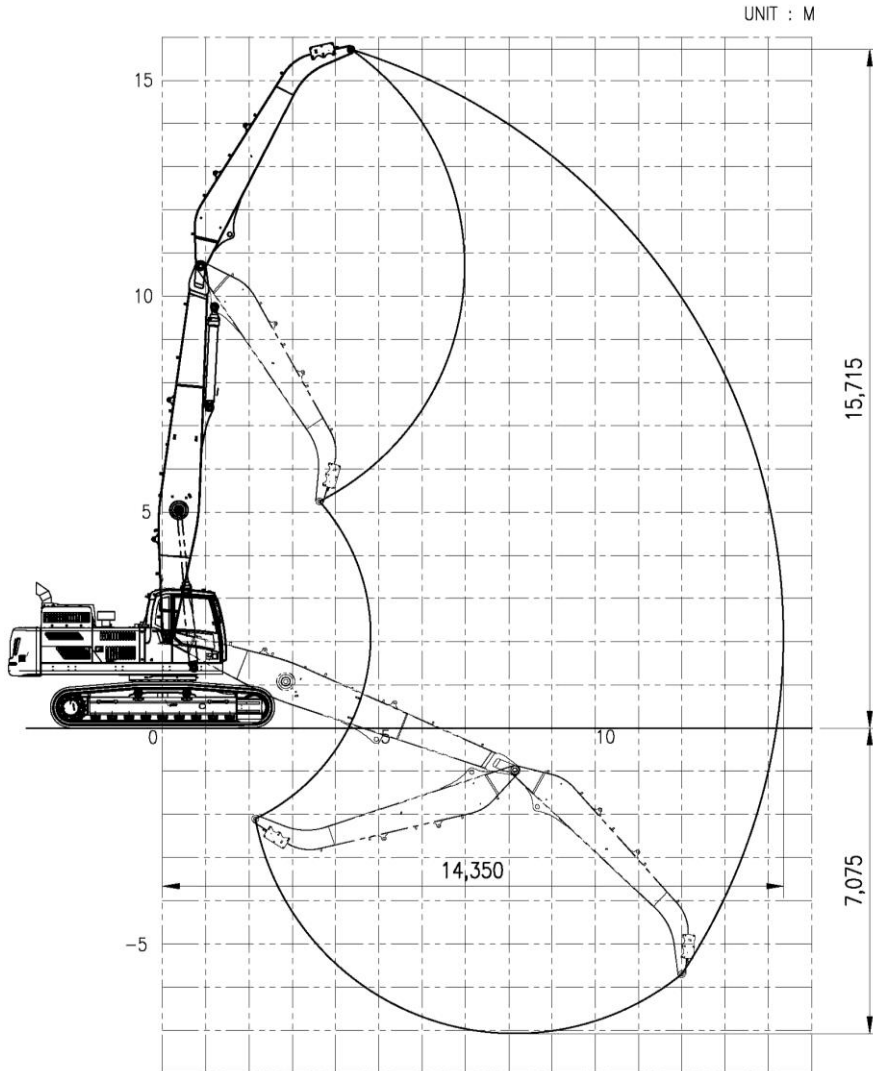
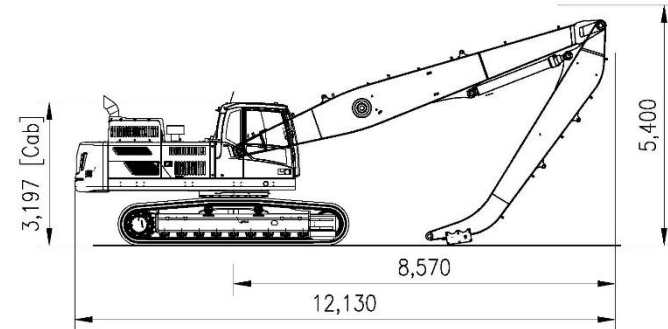


EC380DL with VMH38-47-2P (14.4m)

Working range



Shipping Dimension



Weight (without attachment , cab modification)

| | | | |
|---------------------------|------------|----|-------|
| Base machine (shoe 600mm) | | kg | 23540 |
| CWT | Factory CW | kg | 7550 |
| | Additional | kg | 2500 |
| Front (working equipment) | | kg | 5930 |
| Total | | kg | 39448 |

Component

| | | | |
|---------------------------------|-----------------|--------------------|--------|
| MH kit | Boom length | m | 8.6 |
| | Mid, Arm length | m | - |
| | End Arm length | m | 6.05 |
| Cylinder | Boom | - | EC380D |
| | - | - | - |
| | Arm | - | ED380D |
| Recommended Orange grapple | | m ³ /kg | - |
| Recommended height of cab riser | | mm/kg | - |

Elevating cab is available. Refer to "Cabin Modification" for details.

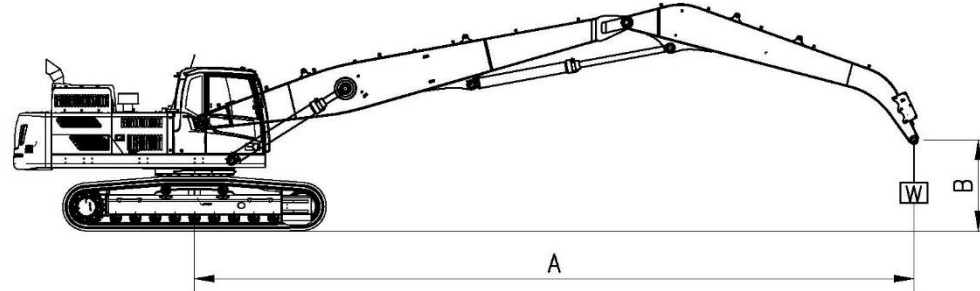
EC380DL with VMH38-47-2P (14.4m)

Lifting capacity

At arm end without bucket.

Implement pressure : 330 kgf/cm²

Power Boost pressure : 360 kgf/cm²



| A \ B | 3.0m | | 4.5m | | 6.0m | | 7.5m | | 9.0m | | 10.5m | | 12.0m | | 13.5m | | Max. REACH | | m |
|-------|----------|-----------|----------|-----------|----------|-----------|----------|-----------|----------|-----------|----------|-----------|----------|-----------|----------|-----------|------------|-----------|--------|
| | Along UC | Across UC | Along UC | Across UC | Along UC | Across UC | Along UC | Across UC | Along UC | Across UC | Along UC | Across UC | Along UC | Across UC | Along UC | Across UC | Along UC | Across UC | |
| 15.0m | | | | | *10747 | *10747 | | | | | | | | | | | *10520 | *10520 | @6.12 |
| 13.5m | | | | | | | *9434 | *9434 | | | | | | | | | *8627 | 8327 | @8.63 |
| 12.0m | | | | | | | *8831 | *8831 | *8411 | 8004 | | | | | | | *7758 | 6346 | @10.34 |
| 10.5m | | | | | | | *8657 | *8657 | *8193 | 8061 | *7833 | 6295 | | | | | *7275 | 5297 | @11.6 |
| 9.0m | | | | | | | *8824 | *8824 | *8257 | 8016 | *7787 | 6293 | *7411 | 5048 | | | *7000 | 4653 | @12.56 |
| 7.5m | | | | | | | *9301 | *9301 | *8540 | 7888 | *7924 | 6221 | *7417 | 5029 | | | 6620 | 4228 | @13.28 |
| 6.0m | | | | | *11519 | *11519 | *10055 | *10055 | *8998 | 7695 | *8182 | 6099 | *7530 | 4962 | 6436 | 4098 | 6213 | 3944 | @13.8 |
| 4.5m | | | *16769 | *16769 | *13159 | *13159 | *11004 | 9701 | *9560 | 7450 | *8511 | 5946 | 7613 | 4868 | 6390 | 4054 | 5954 | 3758 | @14.14 |
| 3.0m | | | | | *14869 | 12673 | *11974 | 9270 | *10131 | 7184 | *8839 | 5777 | 7498 | 4761 | 6329 | 3996 | 5809 | 3651 | @14.32 |
| 1.5m | | | | | *16164 | 11987 | *12752 | 8868 | *10589 | 6929 | 8905 | 5613 | 7389 | 4659 | 6268 | 3938 | 5765 | 3611 | @14.34 |
| 0m | | | *5163 | *5163 | *15788 | 11508 | *13143 | 8547 | *10831 | 6723 | 8760 | 5477 | 7294 | 4570 | 6219 | 3891 | 5819 | 3639 | @14.19 |
| -1.5m | | | *6428 | *6428 | *13743 | 11253 | *13072 | 8351 | 10673 | 6575 | 8650 | 5376 | 7233 | 4511 | 6195 | 3869 | *5931 | 3737 | @13.89 |
| -3.0m | *5383 | *5383 | *8161 | *8161 | *14338 | 11171 | *12479 | 8256 | *10308 | 6499 | 8594 | 5324 | *7166 | 4487 | | | *5621 | 3923 | @13.4 |
| -4.5m | | | *10114 | *10114 | *13766 | 11197 | *11334 | 8244 | *9406 | 6493 | *7771 | 5329 | *6170 | 4516 | | | *5182 | 4226 | @12.72 |
| -6.0m | | | | | *11445 | 11329 | *9589 | 8326 | *7926 | 6551 | *6314 | 5396 | | | | | | | |

unit : kg

Notes :1. Machine in "Fine Mode-F"(Power Boost) for lifting capacities.

2. The above loads are in compliance with SAE J1097 and ISO 10567 Hydraulic Excavator lifting capacity Standards.

3. Rated loads do not exceed 87% of hydraulic capacity or 75% of tipping load.

4. Rated loads marked with an asterisk(*) are limited by hydraulic capacity rather than tipping load.

EC380DL with VMH38-47-2P (14.4m)

Attachment

Orange Grapple / Model : SOG40-715H

0.7cu.m / 2,050kg included yoke weight

