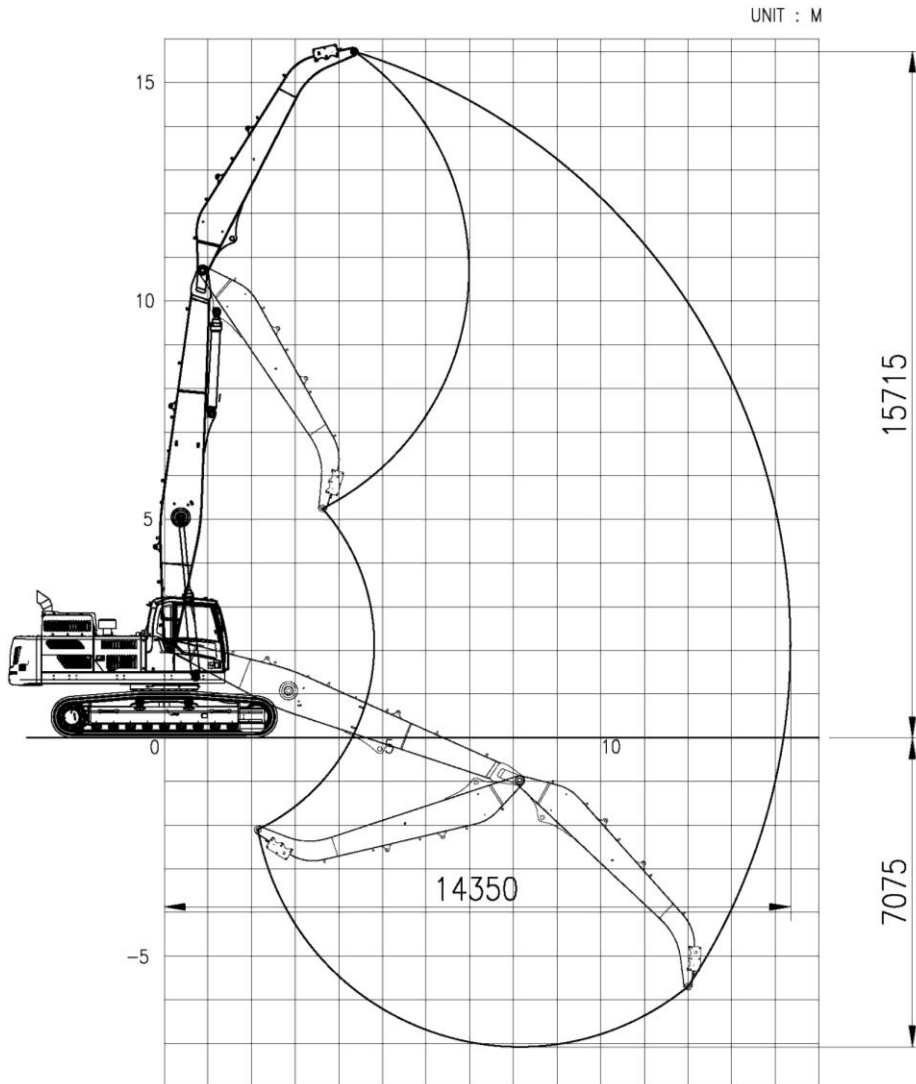
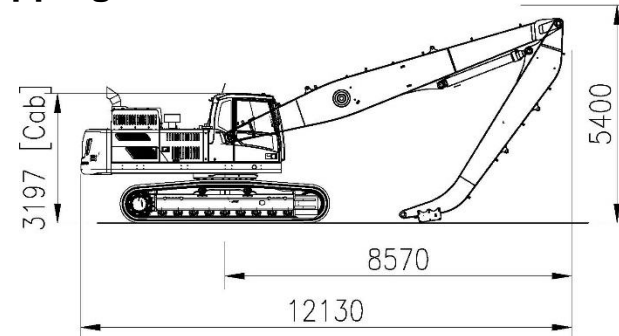


EC350DL with VMH35-47-2P (14.3m)

Working range



Shipping Dimension



Weight (without attachment , cab modification)

Base machine (shoe 600mm)		kg	21655
CWT	Factory CW	kg	7250
	Additional	kg	2500
Front (working equipment)		kg	5140
Total		kg	36545

Component

MH kit	Boom length	m	8.6
	Mid, Arm length	m	-
	End Arm length	m	6.05
Cylinder	Boom	-	EC350D
	-	-	-
	Arm	-	ED350D
Recommended Orange grapple		m ³ /kg	-
Allowable tool weight		kg	-
Recommended height of cab riser		mm/kg	-

Elevating cab is available. Refer to "Cabin Modification" for details.

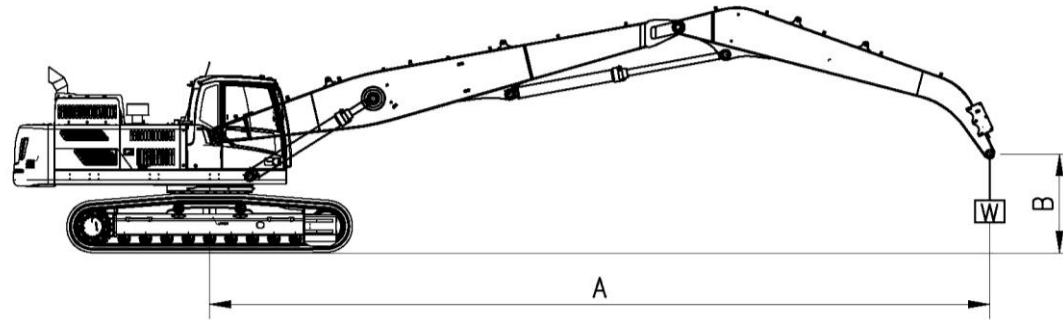
EC350DL with VMH35-47-2P (14.3m)

Lifting capacity

At arm end without bucket.

Implement pressure : 330 kgf/cm²

Power Boost pressure : 360 kgf/cm²



A \ B	3.0m		4.5m		6.0m		7.5m		9.0m		10.5m		12.0m		13.5m		Max. REACH		
	Along UC	Across UC	Along UC	Across UC	Along UC	Across UC	Along UC	Across UC	Along UC	Across UC	Along UC	Across UC	Along UC	Across UC	Along UC	Across UC	Along UC	Across UC	m
15.0m					*10814	*10814											*10513	*10513	@6.16
13.5m							*9433	*9433									*8646	7682	@8.66
12.0m							*8843	*8843	*8409	7438							*7786	5847	@10.36
10.5m							*8678	*8678	*8198	7496	*7826	5828					6848	4869	@11.62
9.0m							*8846	*8846	*8264	7448	*7785	5826	6538	4649			6030	4265	@12.57
7.5m							*9325	*9325	*8546	7318	*7921	5752	6517	4628			5498	3867	@13.29
6.0m					*11542	*11542	*10070	9353	*8997	7116	7920	5627	6444	4560	5342	3746	5144	3598	@13.81
4.5m			*16809	*16809	*13164	12379	*11001	8947	*9552	6866	7751	5468	6342	4463	5294	3701	4916	3422	@14.15
3.0m					*14838	11586	*11949	8500	9458	6589	7561	5292	6226	4354	5231	3641	4788	3320	@14.32
1.5m					*16110	10896	11899	8083	9176	6330	7382	5125	6113	4247	5167	3581	4745	3281	@14.33
0m			*5133	*5133	*15697	10404	11552	7768	8941	6114	7230	4983	6014	4155	5119	3534	4787	3304	@14.19
-1.5m			*6416	*6416	*13684	10151	11312	7554	8780	5965	7122	4881	5949	4094	5094	3511	4920	3394	@13.88
-3.0m	*5377	*5377	*8163	*8163	*14321	10060	11211	7461	8693	5885	7063	4827	5925	4071			5166	3565	@13.4
-4.5m			*10096	*10096	*13630	10081	11202	7455	8684	5877	7068	4831	5959	4102			*5148	3846	@12.71
-6.0m					*11310	10224	*9489	7536	*7849	5942	*6248	4901							

unit : kg

- Notes :
1. Machine in "Fine Mode-F"(Power Boost) for lifting capacities.
 2. The above loads are in compliance with SAE J1097 and ISO 10567 Hydraulic Excavator lifting capacity Standards.
 3. Rated loads do not exceed 87% of hydraulic capacity or 75% of tipping load.
 4. Rated loads marked with an asterisk(*) are limited by hydraulic capacity rather than tipping load.

EC350DL with VMH35-47-2P (14.3m)

Attachment

Orange Grapple / Model : SOG40-615H

0.6cu.m / 1,900kg included yoke weight

