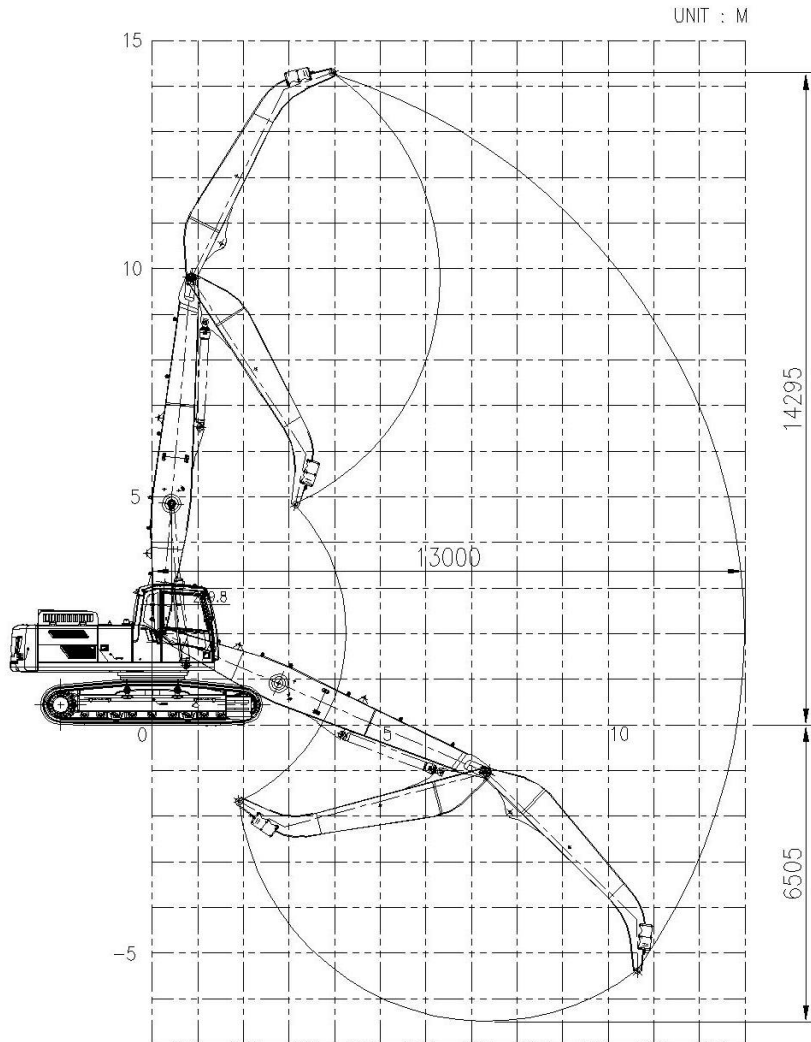
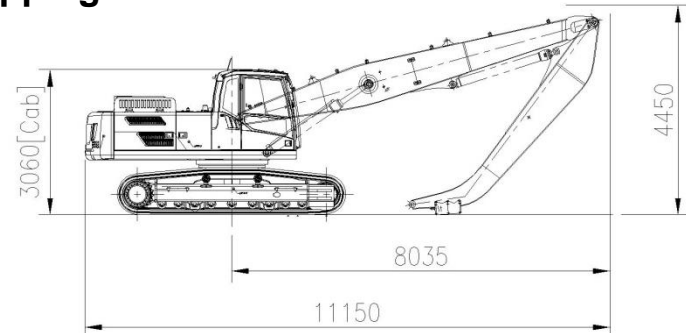


EC300DL with VMH30-43-2P (13.0m)

Working range



Shipping Dimension



Weight (without attachment , cab modification)

Base machine (shoe 600mm)		kg	18568
CWT	Factory CW	kg	5500
	Additional	kg	2500
Front (working equipment)		kg	4470
Total		kg	31038

Component

MH kit	Boom length	m	7.8
	Mid, Arm length	m	-
	End Arm length	m	5.4
Cylinder	Boom	-	EC300D
	Mid, Arm	-	-
	End Arm	-	EC300D
Recommended Orange grapple		m ³ /kg	
Recommended height of cab riser		mm/kg	

Elevating cab is available. Refer to "Cabin Modification" for details.

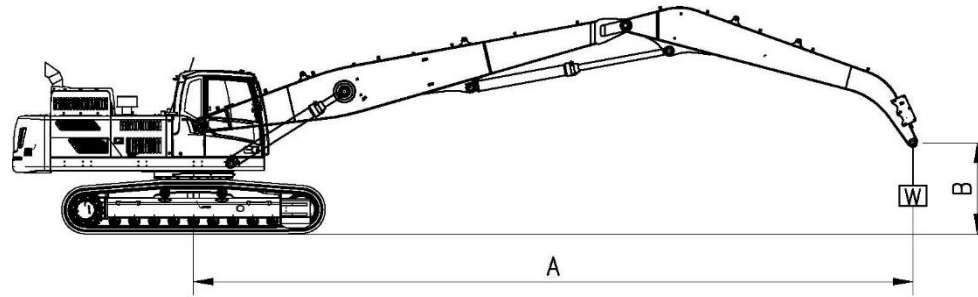
EC300DL with VMH30-43-2P (13.0m)

Lifting capacity

At arm end without bucket.

Implement pressure : 340 kgf/cm²

Power Boost pressure : 370 kgf/cm²



A \ B	3.0m		4.5m		6.0m		7.5m		9.0m		10.5m		12.0m		Max. REACH		
	Along UC	Across UC	Along UC	Across UC	Along UC	Across UC	Along UC	Across UC	Along UC	Across UC	Along UC	Across UC	Along UC	Across UC	Along UC	Across UC	m
13.5m					*8452	*8452									*8349	*8349	@6.05
12.0m					*7966	*7966	*7430	7263							*6914	6062	@8.33
10.5m							*7031	*7031	*6663	5473					*6258	4638	@9.87
9.0m							*6994	*6994	*6540	5505	6133	4223			5661	3878	@10.99
7.5m					*7983	*7983	*7230	*7230	*6640	5441	6126	4217			5019	3414	@11.81
6.0m					*8787	*8787	*7697	7049	*6894	5309	6052	4147	4873	3306	4613	3116	@12.39
4.5m			*12542	*12542	*9911	9420	*8319	6748	*7238	5128	5940	4043	4822	3258	4360	2927	@12.77
3.0m			*14974	13382	*11099	8802	*8968	6407	7307	4926	5807	3919	4752	3192	4220	2819	@12.97
1.5m			*6451	*6451	*12012	8259	9248	6088	7093	4730	5680	3801	4682	3126	4176	2779	@12.99
0m			*5471	*5471	*12329	7870	8971	5839	6924	4573	5577	3704	4627	3074	4225	2806	@12.83
-1.5m	*3356	*3356	*6353	*6353	*12002	7671	8802	5687	6806	4466	5508	3640	4604	3052	4376	2905	@12.49
-3.0m	*5086	*5086	*7765	*7765	*11044	7609	8739	5628	6763	4425	5490	3624			*4385	3097	@11.95
-4.5m			*9434	*9434	*9490	7668	*7740	5649	*6249	4449	*4772	3670			*3897	3423	@11.18
-6.0m					*7236	*7236	*5937	5762	*4543	*4543							

unit : kg

Notes :1. Machine in "Fine Mode-F"(Power Boost) for lifting capacities.

2. The above loads are in compliance with SAE J1097 and ISO 10567 Hydraulic Excavator lifting capacity Standards.

3. Rated loads do not exceed 87% of hydraulic capacity or 75% of tipping load.

4. Rated loads marked with an asterisk(*) are limited by hydraulic capacity rather than tipping load.

EC300DL with VMH30-43-2P (13.0m)

Attachment

Orange Grapple / Model : SOG40-615H

0.6cu.m / 1,900kg included yoke weight

