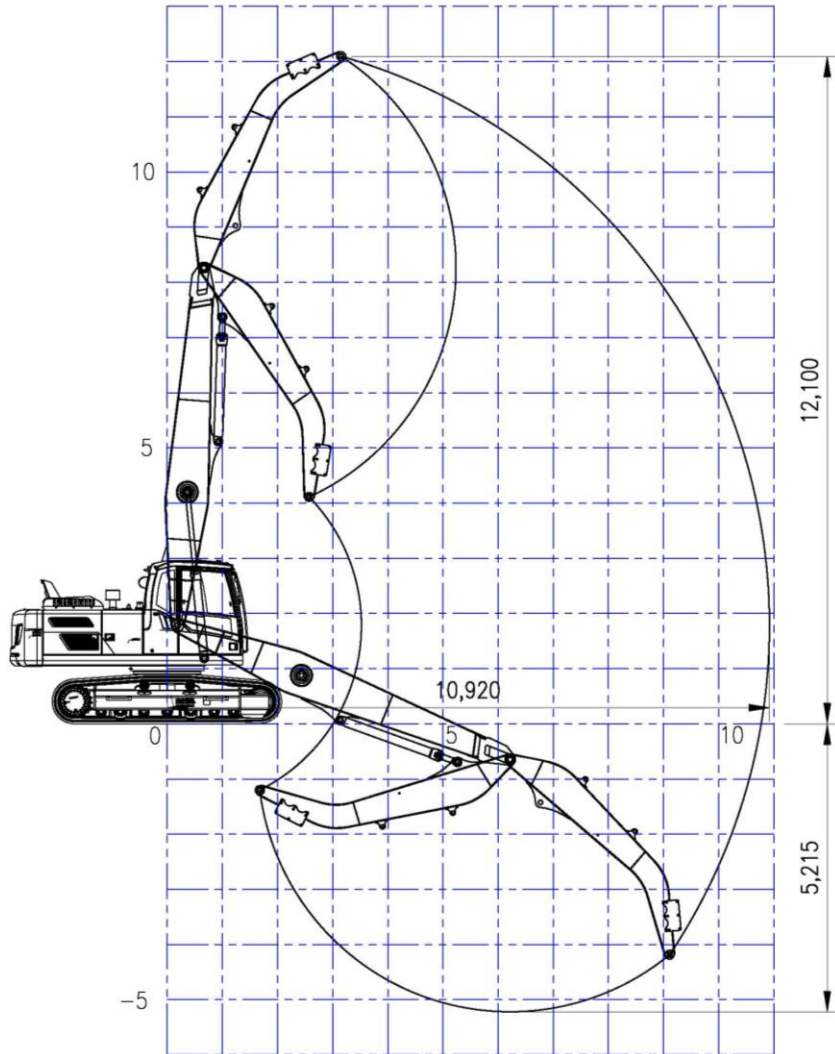


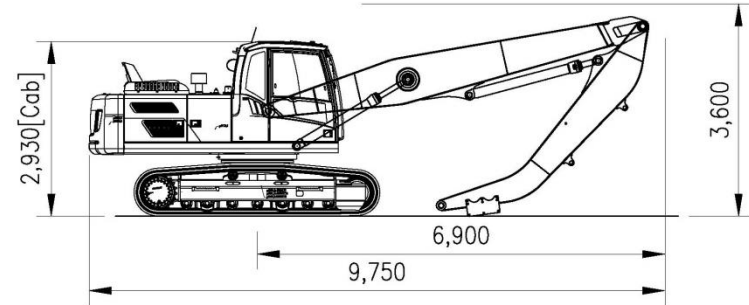
EC220DL with VMH22-36-2P (10.9m)

Working range

UNIT : M



Shipping Dimension



Weight (without attachment , cab modification)

Base machine (shoe 600mm)		kg	14069
CWT	Factory CW	kg	4200
	Additional	kg	1500
Front (working equipment)		kg	3050
Total		kg	22819

Component

MH kit	Boom length	m	6.5
	Mid, Arm length	m	-
	End Arm length	m	4.5
Cylinder	Boom	-	EC220D
	Mid. Arm	-	-
	End Arm	-	EC250D
Recommended Orange grapple		m ³ /kg	
Recommended height of cab riser		mm/kg	

Elevating cab is available. Refer to "Cabin Modification" for details.

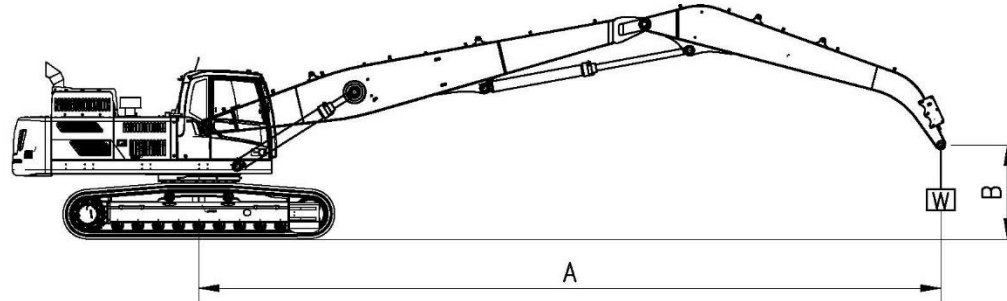
EC220DL with VMH22-36-2P (10.9m)

Lifting capacity

At arm end without bucket.

Implement pressure : 350 kgf/cm²

Power Boost pressure : 370 kgf/cm²



B \ A	2.0m		3.0m		4.0m		5.0m		6.0m		7.0m		8.0m		9.0m		10.0m		Max. REACH						
	Along UC	Across UC	Along UC	Across UC	Along UC	Across UC	Along UC	Across UC	Along UC	Across UC	Along UC	Across UC	Along UC	Across UC	Along UC	Across UC	Along UC	Across UC	Along UC	Across UC	m				
12.0m																					*7022	*7022	@3.47		
11.0m							*6328	*6328														*5317	*5317	@5.69	
10.0m							*6489	*6489	*6149	*6149	*4843	*4843										*4644	*4644	@7.09	
9.0m									*5873	*5873	*5634	5260	*4589	4210								*4274	4089	@8.13	
8.0m									*5803	*5803	*5532	5283	*5312	4261								*4050	3525	@8.94	
7.0m							*6289	*6289	*5901	*5901	*5572	5258	*5293	4258	5027	3511						*3913	3155	@9.57	
6.0m							*6667	*6667	*6152	*6152	*5726	5195	*5370	4221	5014	3499	*4024	2930				*3836	2900	@10.06	
5.0m					*8179	*8179	*7264	*7264	*6534	6440	*5969	5097	*5515	4158	4975	3462	4213	2922				*3805	2721	@10.43	
4.0m			*8627	*8627	*9532	*9532	*8035	*8035	*7015	6252	*6276	4975	*5702	4076	4919	3410	4184	2895				3769	2598	@10.69	
3.0m					*11002	*11002	*8879	7879	*7538	6044	*6600	4836	5789	3985	4855	3351	4146	2859				3663	2518	@10.85	
2.0m					*12305	10429	*9653	7546	*8008	5828	*6895	4697	5686	3891	4788	3288	4105	2821				3610	2476	@10.92	
1.0m					*6578	*6578	*10169	7255	*8354	5646	6784	4570	5594	3805	4725	3230	4066	2784				3605	2468	@10.89	
0m			*2442	*2442	*5534	*5534	*10343	7053	8366	5498	6674	4469	5516	3734	4673	3182	4037	2757				3650	2496	@10.77	
-1.0m			*3306	*3306	*5764	*5764	*10149	6928	8256	5401	6595	4397	5460	3683	4639	3150	4022	2742				3748	2562	@10.55	
-2.0m	*3161	*3161	*4273	*4273	*6432	*6432	*9630	6882	*8040	5352	6550	4357	5429	3654	4623	3135	4025	2746				*3754	2674	@10.23	
-3.0m			*5252	*5252	*7308	*7308	*8783	6883	*7414	5342	*6293	4347	*5331	3653	*4407	3146							*3492	2846	@9.8
-4.0m					*8367	*8367	*7610	6930	*6492	5374	*5496	4374	*4548	3681	*3467	3191							*3128	3104	@9.23
-5.0m									*5209	*5209	*4324	*4324													

unit : kg

Notes :1. Machine in “Fine Mode-F”(Power Boost) for lifting capacities.

2. The above loads are in compliance with SAE J1097 and ISO 10567 Hydraulic Excavator lifting capacity Standards.

3. Rated loads do not exceed 87% of hydraulic capacity or 75% of tipping load.

4. Rated loads marked with an asterisk(*) are limited by hydraulic capacity rather than tipping load.

EC220DL with VMH22-36-2P (10.9m)

Attachment

Orange Grapple / Model : SOG30-515H

0.5cu.m / 1,360kg included yoke weight

