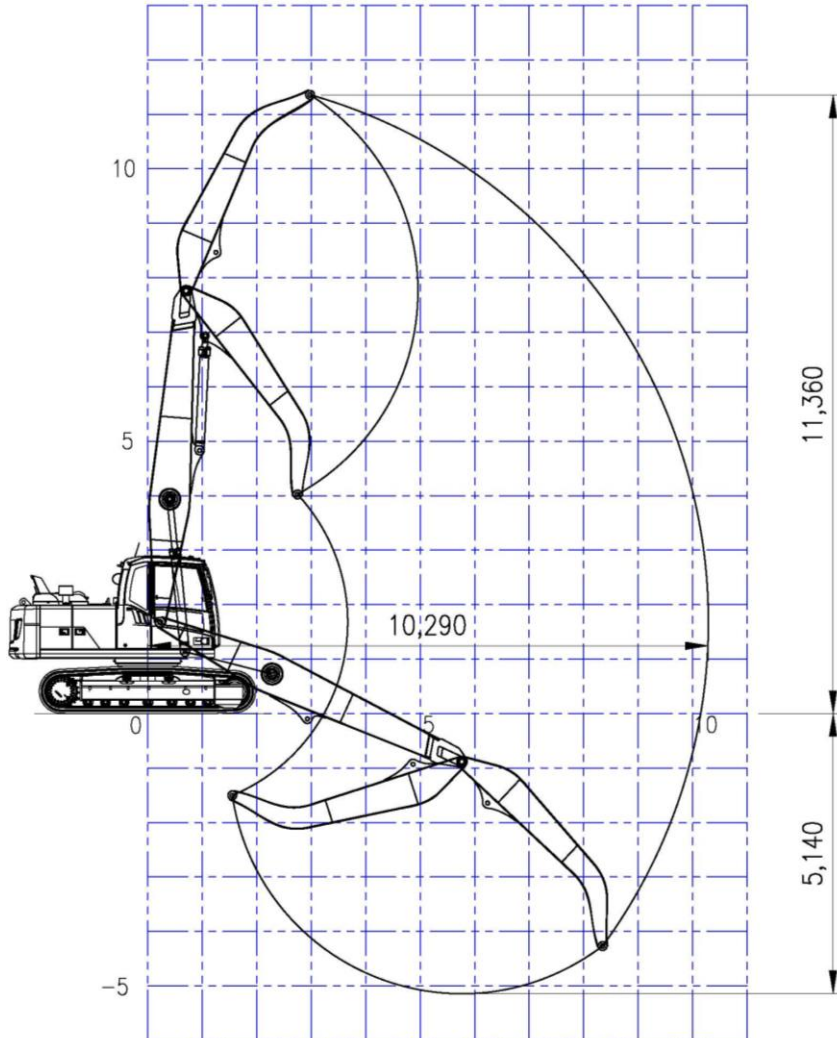
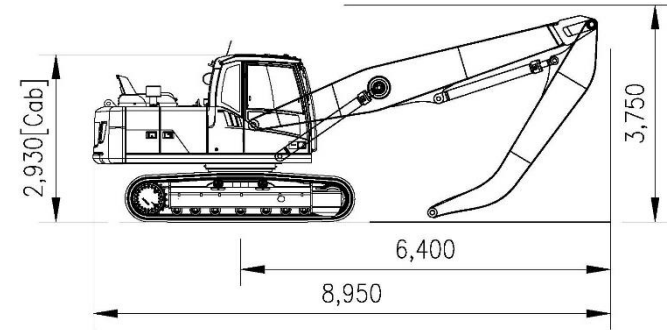


# EC180D with VMH18-33-2P (11.3m)

## Working range



## Shipping Dimension



## Weight (without attachment , cab modification)

Base machine (shoe 600mm)		kg	12186
CWT	Standard	kg	3200
	Additional	kg	1500
Front (working equipment)		kg	3050
Total		kg	19936

## Component

MH kit	Boom length	m	6.1
	-	m	-
Cylinder	Arm length	m	4.2
	Boom	-	EC180D
	Arm	-	EC220D
Recommended Orange grapple		m <sup>3</sup> /kg	
Allowable tool weight		kg	
Recommended height of cab riser		mm/kg	800

Elevating cab is available. Refer to "Cabin Modification" for details.

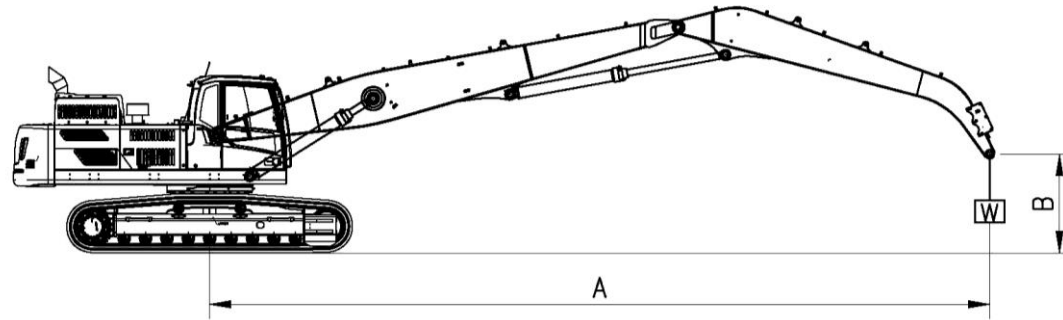
# EC180D with VMH18-33-2P (11.3m)

## Lifting capacity

At arm end without bucket.

Implement pressure : 350 kgf/cm<sup>2</sup>

Power Boost pressure : 370 kgf/cm<sup>2</sup>



A \ B	3.0m		4.0m		5.0m		6.0m		7.0m		8.0m		9.0m		10.0m		Max. REACH		
	Along UC	Across UC	Along UC	Across UC	Along UC	Across UC	Along UC	Across UC	Along UC	Across UC	Along UC	Across UC	Along UC	Across UC	Along UC	Across UC	Along UC	Across UC	m
11.0m			*7157	*7157													*7142	*7142	@4.02
10.0m					*5639	*5639											*5374	4882	@5.88
9.0m					*5241	*5241	*4917	4887	*4717	3735							*4705	3609	@7.13
8.0m					*5086	*5086	*4761	*4761	*4510	3815	*4335	2996					4293	2955	@8.06
7.0m					*5119	*5119	*4761	*4761	*4468	3819	*4229	3036					3733	2557	@8.77
6.0m					*5328	*5328	*4888	4851	*4530	3779	*4232	3022	3582	2451			3368	2294	@9.31
5.0m			*6489	*6489	*5710	*5710	*5126	4733	*4669	3703	*4298	2978	3566	2436			3121	2113	@9.72
4.0m	*9212	*9212	*7381	*7381	*6233	6063	*5445	4575	*4859	3599	4259	2913	3528	2400	2964	1996	2955	1990	@10.02
3.0m			*8445	8094	*6831	5763	*5799	4389	*5070	3480	4175	2835	3477	2353	2943	1977	2849	1910	@10.2
2.0m			*9406	7539	*7379	5454	*6120	4196	4997	3356	4088	2755	3423	2302	2916	1951	2793	1865	@10.28
1.0m			*9151	7101	*7740	5185	6125	4027	4873	3243	4007	2679	3372	2255	2890	1927	2783	1853	@10.27
0m			*7087	6834	*7833	4997	5978	3894	4772	3150	3940	2617	3331	2216	2874	1912	2818	1874	@10.15
-1.0m	*3872	*3872	*7233	6711	*7627	4884	5879	3805	4703	3087	3895	2575	3307	2193			2903	1931	@9.93

unit : kg

Notes : 1. Machine in "Fine Mode-F"(Power Boost) for lifting capacities.

2. The above loads are in compliance with SAE J1097 and ISO 10567 Hydraulic Excavator lifting capacity Standards.

3. Rated loads do not exceed 87% of hydraulic capacity or 75% of tipping load.

4. Rated loads marked with an asterisk(\*) are limited by hydraulic capacity rather than tipping load.