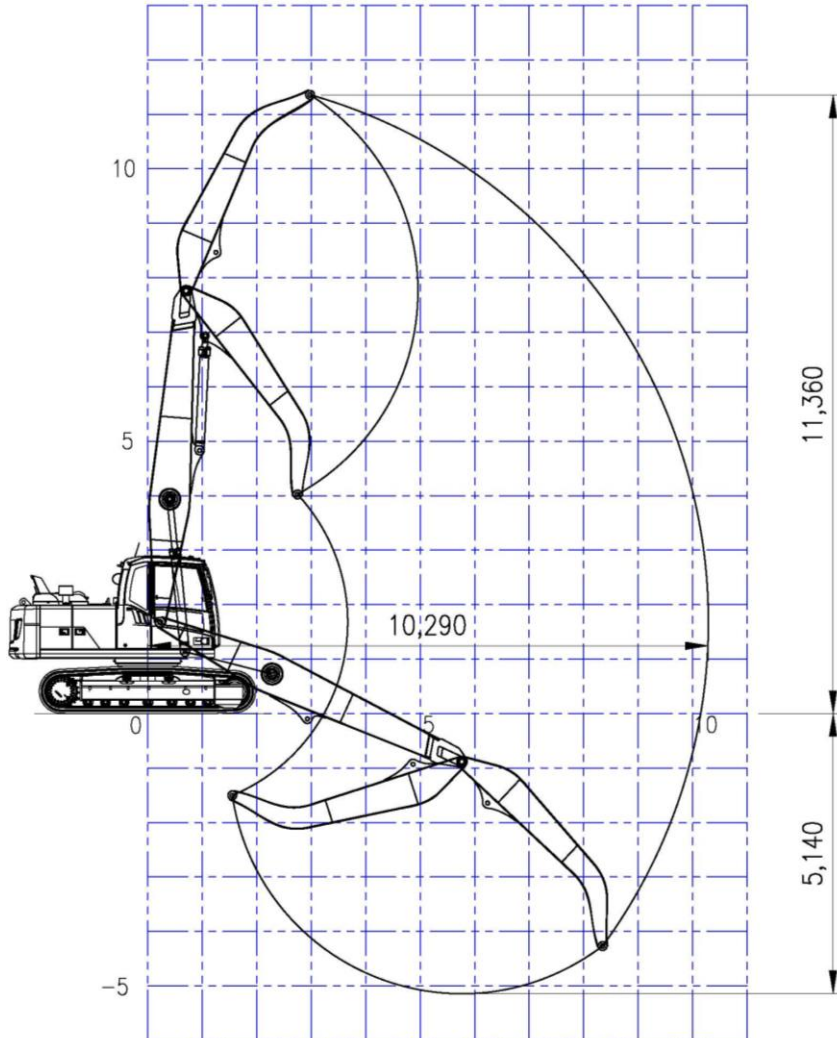
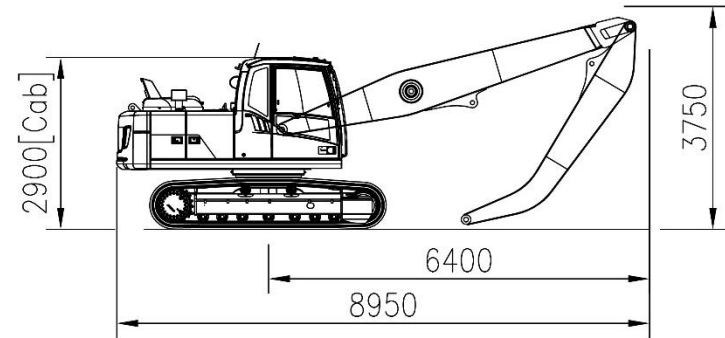


EC160D with VMH16-33-2P (11.3m)

Working range



Shipping Dimension



Weight (without attachment , cab modification)

Base machine (shoe 600mm)		kg	11607
CWT	Standard	kg	3200
	Additional	kg	1500
Front (working equipment)		kg	3000
Total		kg	19307

Component

MH kit	Boom length	m	6.1
	-	m	-
Cylinder	Arm length	m	4.2
	Boom	-	EC160D
	Arm	-	EC220D
Recommended Orange grapple		m ³ /kg	
Allowable tool weight		kg	
Recommended height of cab riser		mm/kg	

Elevating cab is available. Refer to "Cabin Modification" for details.

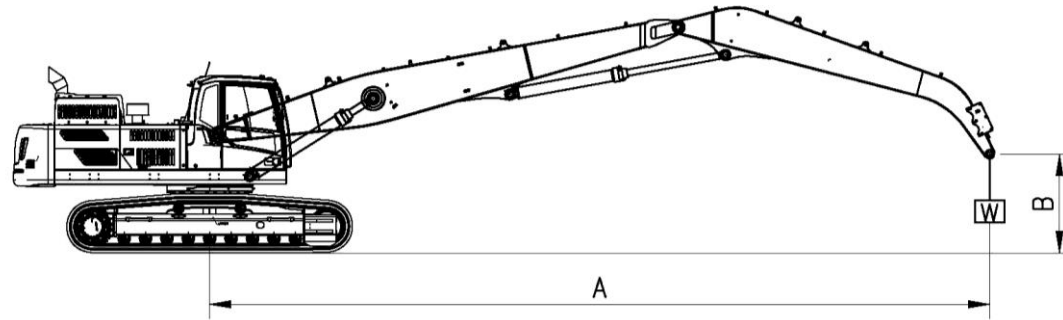
EC160D with VMH16-33-2P (11.3m)

Lifting capacity

At arm end without bucket.

Implement pressure : 350 kgf/cm²

Power Boost pressure : 370 kgf/cm²



A \ B	3.0m		4.0m		5.0m		6.0m		7.0m		8.0m		9.0m		10.0m		Max. REACH		m	
	Along UC	Across UC	Along UC	Across UC	Along UC	Across UC	Along UC	Across UC	Along UC	Across UC	Along UC	Across UC	Along UC	Across UC	Along UC	Across UC	Along UC	Across UC		
11.0m			*7150	*7150														*7135	*7135	@4.02
10.0m					*5632	*5632												*5365	4758	@5.88
9.00					*5233	*5233	*4909	4766	*4708	3633								*4696	3508	@7.13
8.0m					*5078	*5078	*4753	*4753	*4501	3712	3932	2907						3881	2867	@8.06
7.0m					*5111	*5111	*4752	*4752	*4459	3717	3975	2947						3368	2476	@8.77
6.0m					*5320	*5320	*4879	4729	*4521	3676	3961	2933	3231	2372				3033	2218	@9.31
5.0m			*6481	*6481	*5700	*5700	*5116	4611	*4660	3600	3913	2889	3215	2358				2805	2040	@9.72
4.0m	*9202	*9202	*7371	*7371	*6223	5910	*5435	4451	4754	3495	3844	2823	3177	2321	2660	1925		2652	1919	@10.02
3.0m			*8433	7887	*6820	5608	*5788	4265	4626	3376	3761	2745	3126	2274	2639	1906		2553	1840	@10.2
2.0m			*9392	7330	*7367	5298	5667	4071	4492	3252	3675	2664	3072	2222	2612	1880		2501	1796	@10.28
1m			*9154	6891	7207	5029	5483	3901	4370	3138	3594	2589	3023	2175	2587	1855		2490	1784	@10.27
0m			*7092	6623	6996	4840	5338	3769	4270	3045	3528	2526	2982	2137	2571	1840		2520	1804	@10.15
-1.0m	*3879	*3879	*7238	6500	6869	4726	5241	3679	4202	2982	3484	2484	2957	2113				2597	1859	@9.93

unit : kg

Notes :1. Machine in "Fine Mode-F"(Power Boost) for lifting capacities.

2. The above loads are in compliance with SAE J1097 and ISO 10567 Hydraulic Excavator lifting capacity Standards.

3. Rated loads do not exceed 87% of hydraulic capacity or 75% of tipping load.

4. Rated loads marked with an asterisk(*) are limited by hydraulic capacity rather than tipping load.