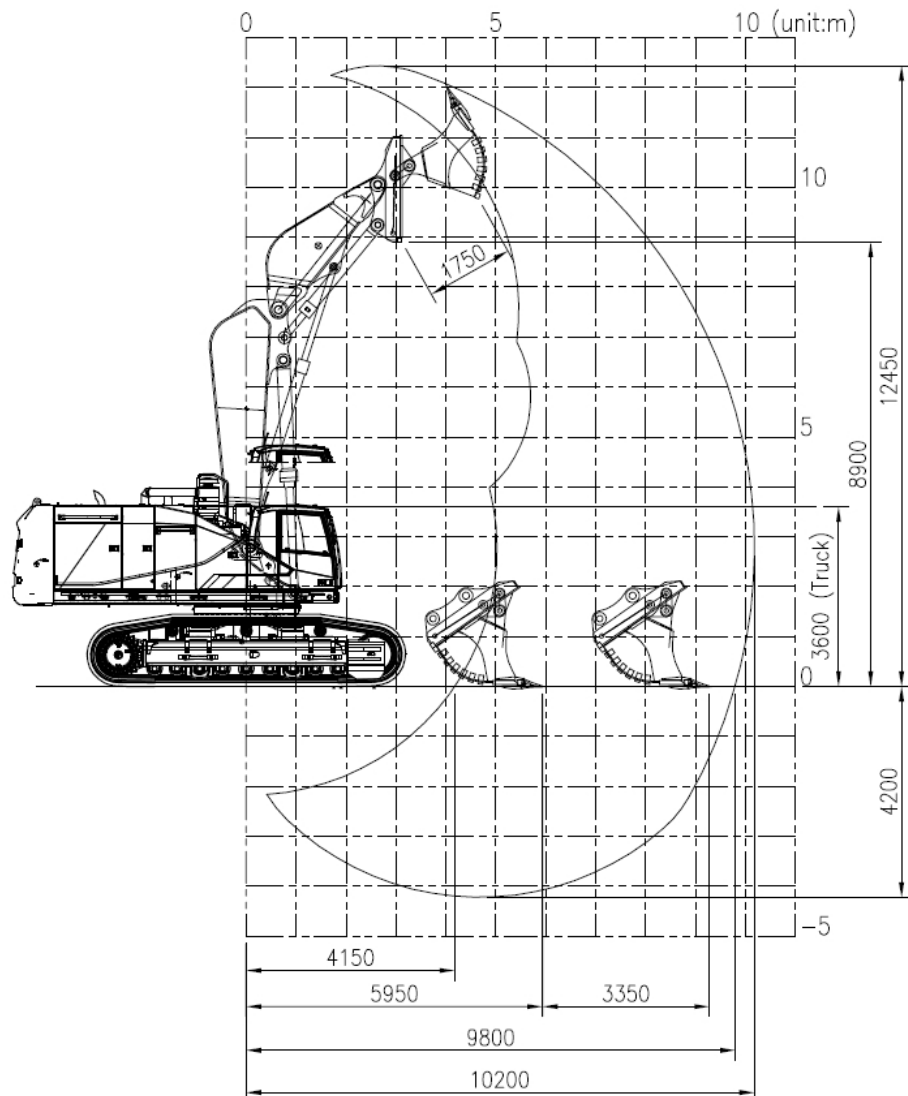
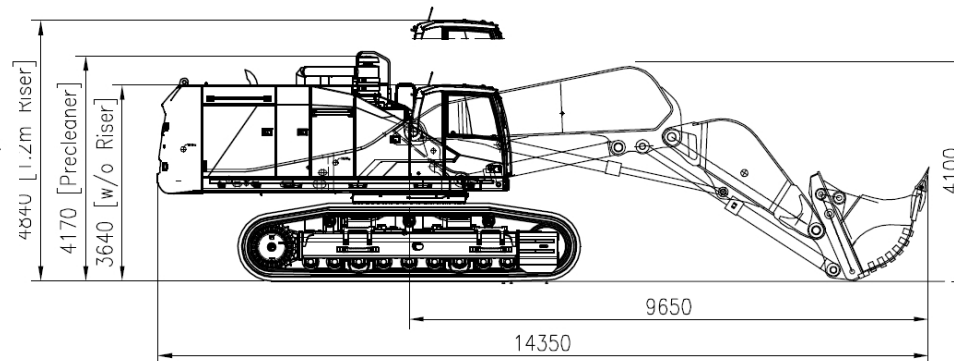


EC950E with VFS95-33-BD

Working range



Shipping Dimension



Weight (without attachment, cab modification)

Base machine (shoe 650mm)		kg	52,920
CWT	Standard	kg	16,195
	Additional	kg	-
Front (working equipment)		kg	17,100
1.2m Fixed Cabin Riser		kg	800
Total		kg	87,015

Component

FS kit	Boom length	m	4.8
	Arm length	m	3.2
Cylinder	Boom	-	EC950E
	Arm	-	EC350D Arm x 2
	Bucket	-	EC480D Arm x 2
	Dump	-	SNS
Bucket	Rock (eXtra Heavy)	cu.m / kg	5.5 / 10,200

Riser cab is available. Refer to "Cabin Modification" for details.