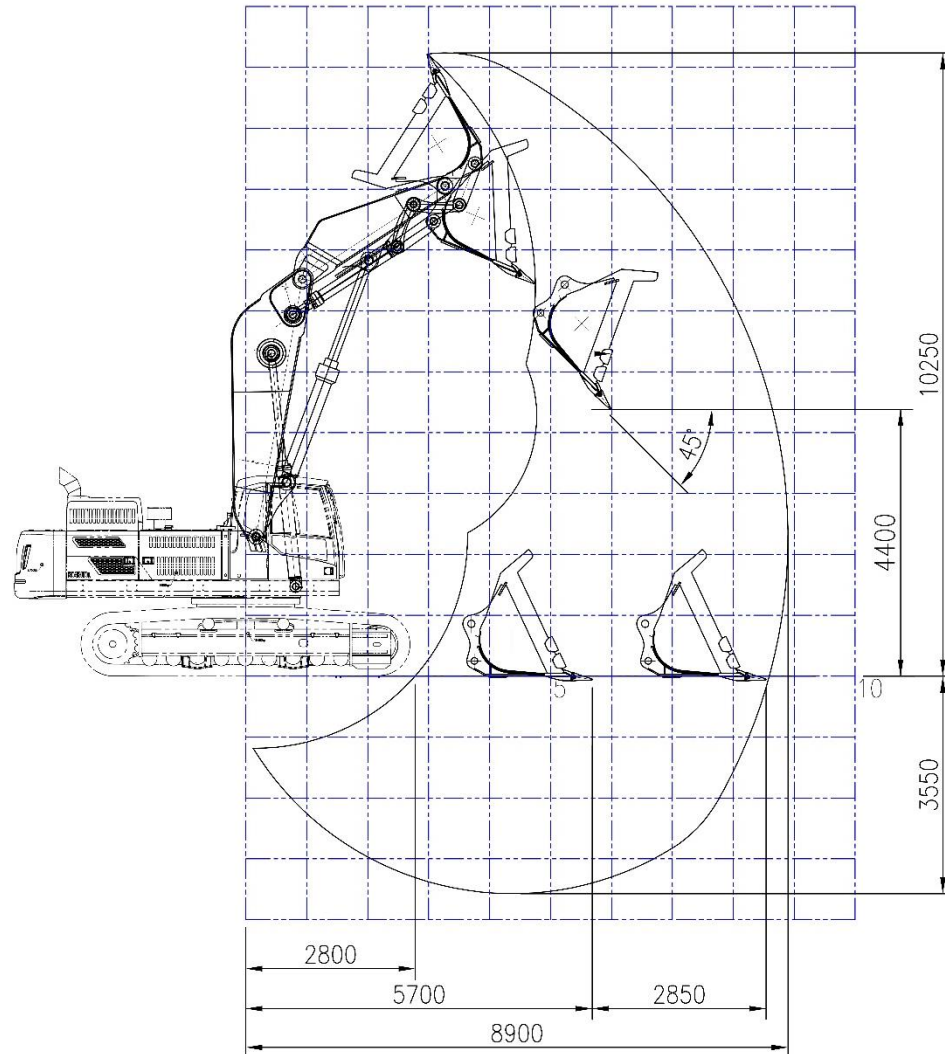


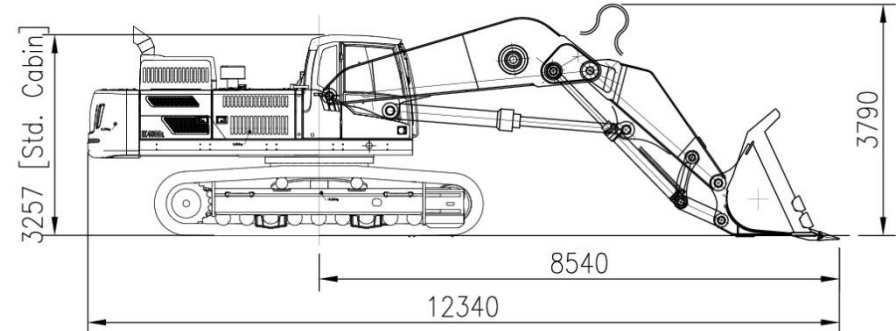
# EC480DL with VFS48-29-TD

## Working range

UNT : M



## Shipping Dimension



## Weight (without attachment , cab modification)

Base machine		kg	27,700
<b>(Fixed UC shoe 600mm)</b>			
CWT	Factory CW	kg	9,750
	Additional	kg	1,500
Front (working equipment)		kg	7,200
Total		kg	46,150

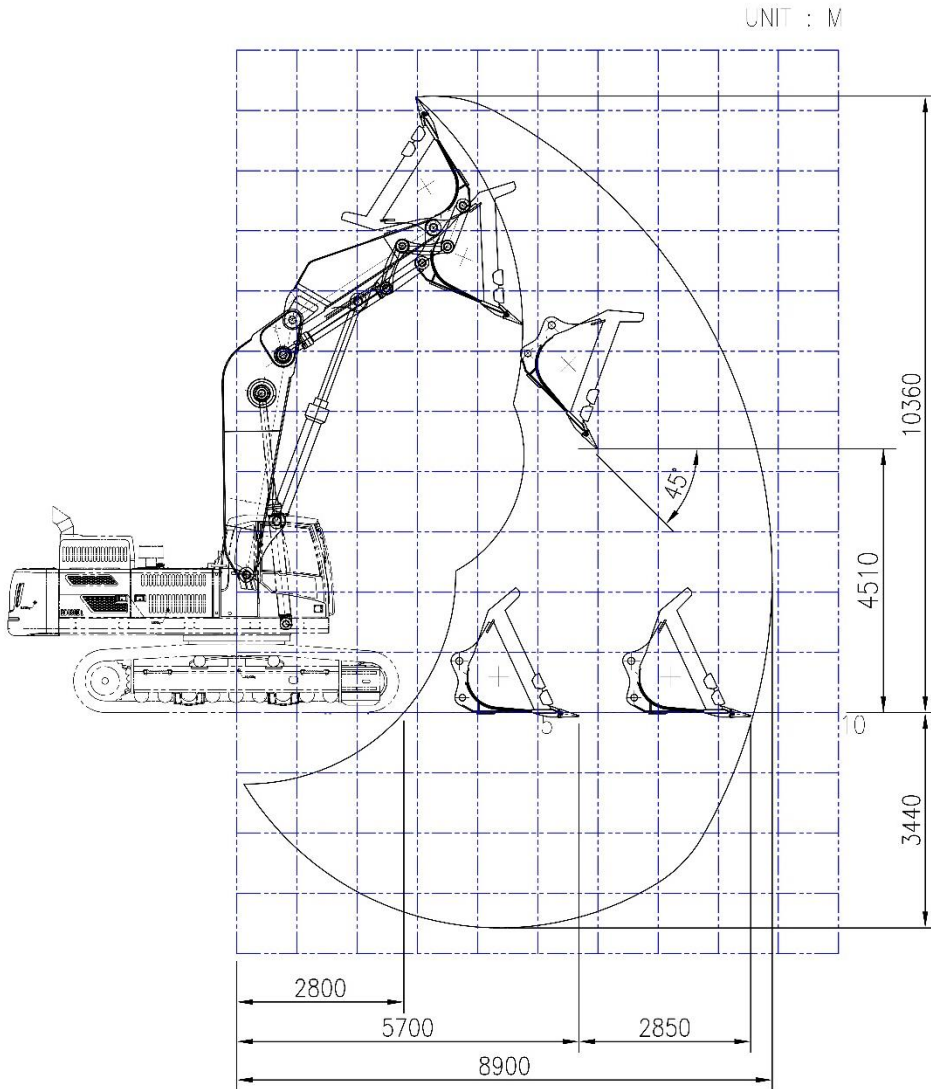
## Component

FS kit	Boom length	m	4.3
	Arm length	m	2.8
Cylinder	Boom	-	EC480D
	Arm	-	SNS
	Bucket	-	SNS
	Dump	-	SNS
Bucket	General Purpose	cu.m / kg	2.5 / 3,200
	General Purpose	cu.m / kg	2.8 / 3,100
	General Purpose	cu.m / kg	3.1 / 3,000

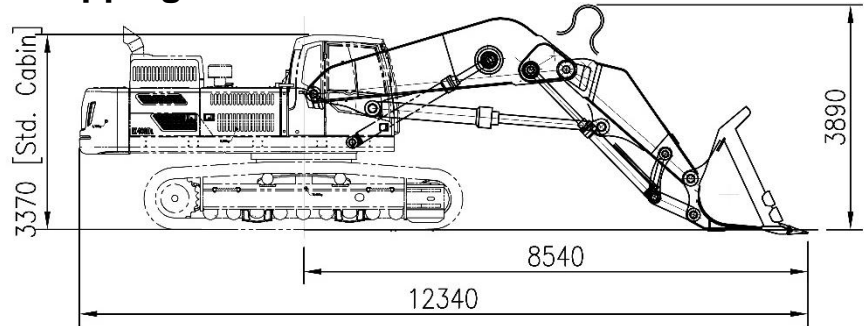
Riser cab is available. Refer to "Cabin Modification" for details.

# EC480DL with VFS48-29-TD

## Working range



## Shipping Dimension



## Weight (without attachment , cab modification)

Base machine		kg	28,780
<b>(Retractable UC shoe 600mm)</b>			
CWT	Factory CW	kg	9,750
	Additional	kg	1,500
Front (working equipment)		kg	7,200
Total		kg	47,230

## Component

FS kit	Boom length	m	4.3
	Arm length	m	2.8
Cylinder	Boom	-	EC480D
	Arm	-	SNS
	Bucket	-	SNS
	Dump	-	SNS
Bucket	General Purpose	cu.m / kg	2.5 / 3,200
	General Purpose	cu.m / kg	2.8 / 3,100
	General Purpose	cu.m / kg	3.1 / 3,000

Riser cab is available. Refer to "Cabin Modification" for details.