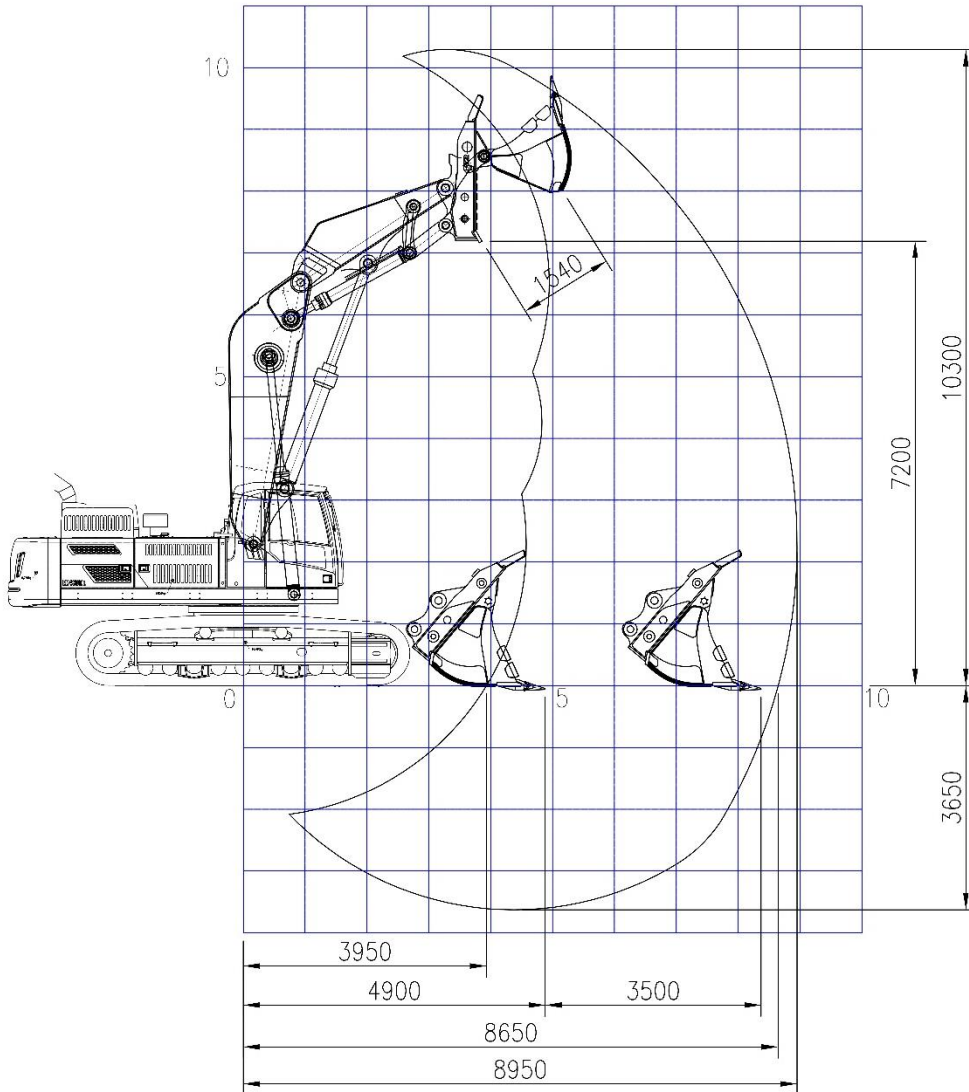


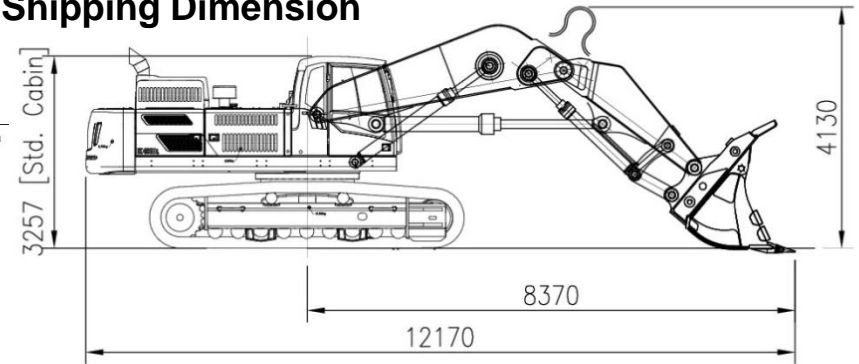
EC480DL with VFS48-29-BD

Working range

UNT : M



Shipping Dimension



Weight (without attachment , cab modification)

Base machine		kg	27,700
(Fixed UC shoe 600mm)			
CWT	Factory CW	kg	9,750
	Additional	kg	1,500
Front (working equipment)		kg	7,200
Total		kg	46,150

Component

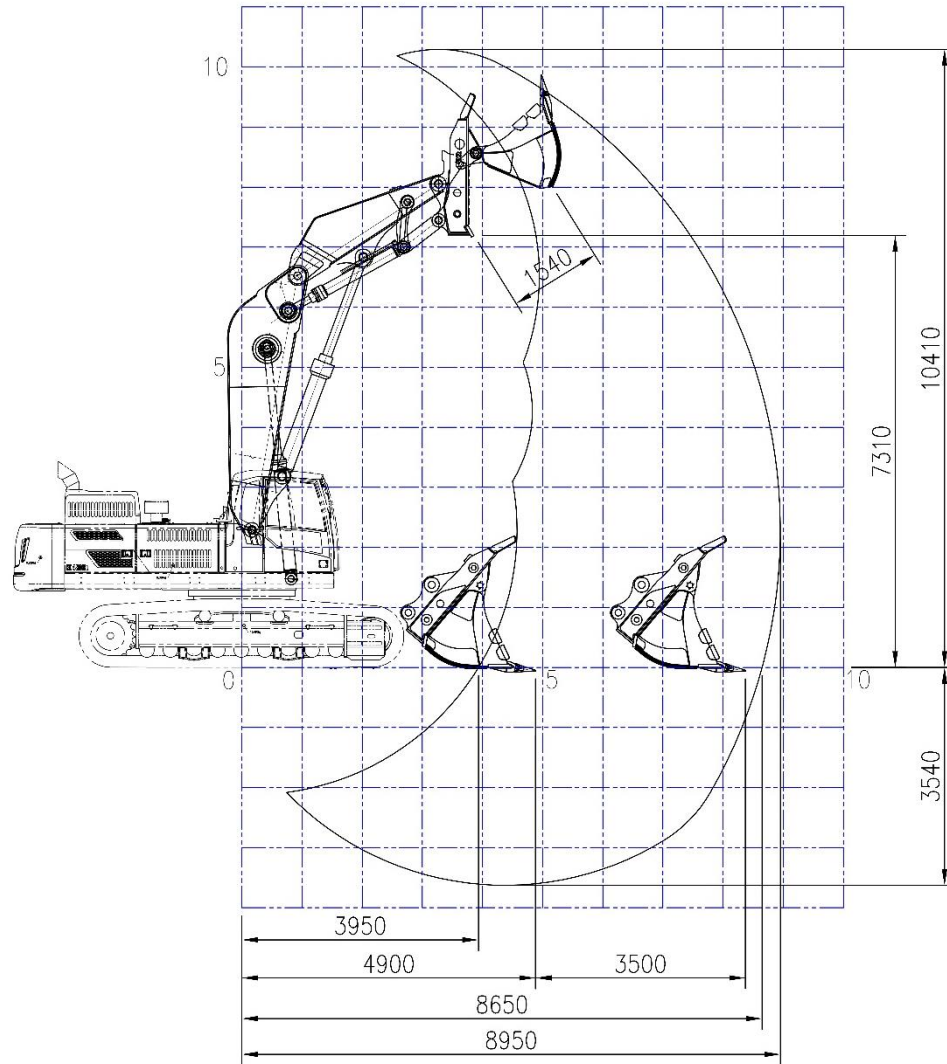
FS kit	Boom length	m	4.3
	Arm length	m	2.8
Cylinder	Boom	-	EC480D
	Arm	-	SNS
	Bucket	-	SNS
	Dump	-	SNS
Bucket	Rock	cu.m / kg	2.3 / 3,600
	General Purpose	cu.m / kg	2.6 / 3,400
	Light Material	cu.m / kg	2.9 / 3,300

Riser cab is available. Refer to "Cabin Modification" for details.

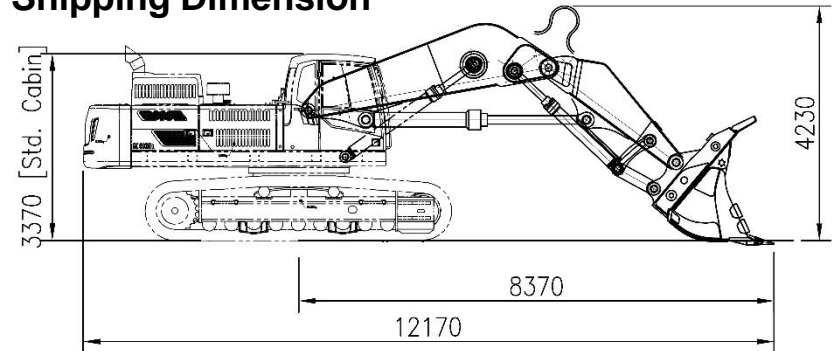
EC480DL with VFS48-29-BD

Working range

UNIT : M



Shipping Dimension



Weight (without attachment , cab modification)

Base machine		kg	28,780
(Retractable UC shoe 600mm)			
CWT	Factory CW	kg	9,750
	Additional	kg	1,500
Front (working equipment)		kg	7,200
Total		kg	47,230

Component

FS kit	Boom length	m	4.3
	Arm length	m	2.8
Cylinder	Boom	-	EC480D
	Arm	-	SNS
	Bucket	-	SNS
	Dump	-	SNS
Bucket	Rock	cu.m / kg	2.3 / 3,600
	General Purpose	cu.m / kg	2.6 / 3,400
	Light Material	cu.m / kg	2.9 / 3,300

Riser cab is available. Refer to "Cabin Modification" for details.