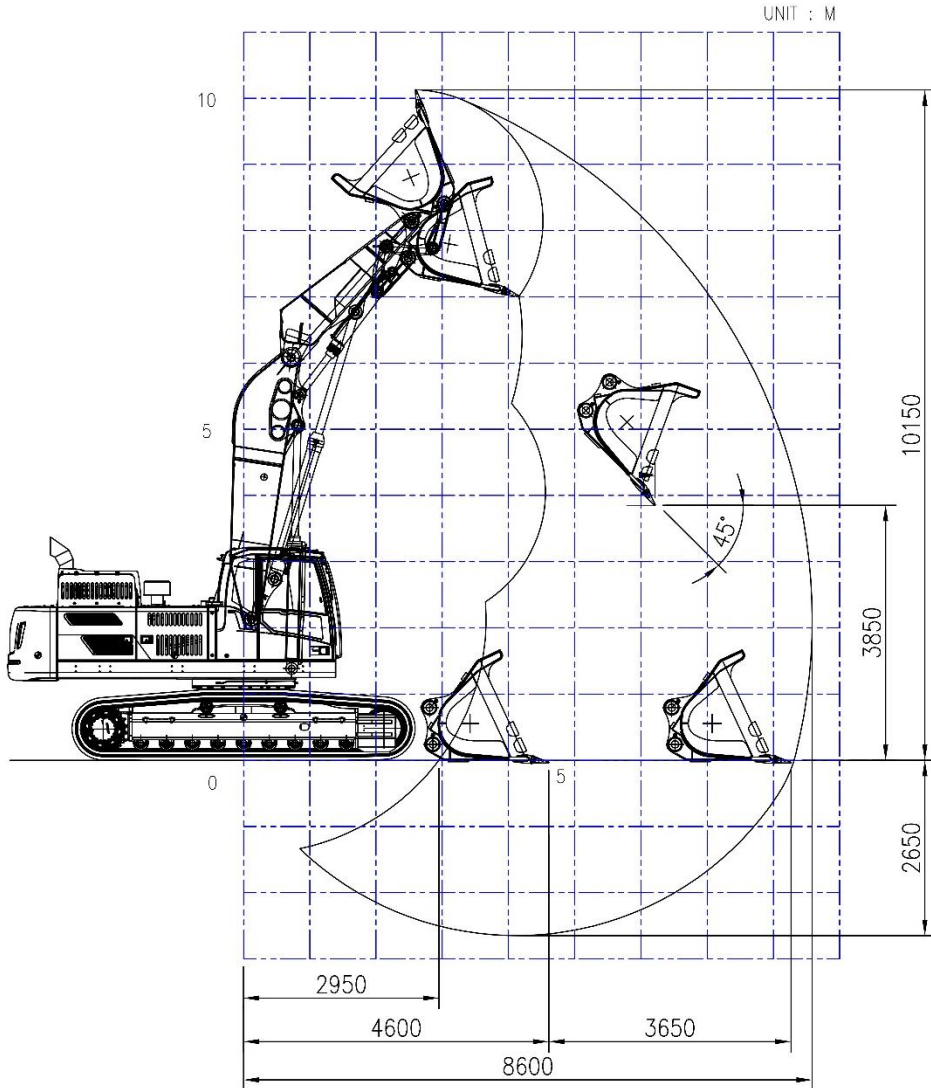
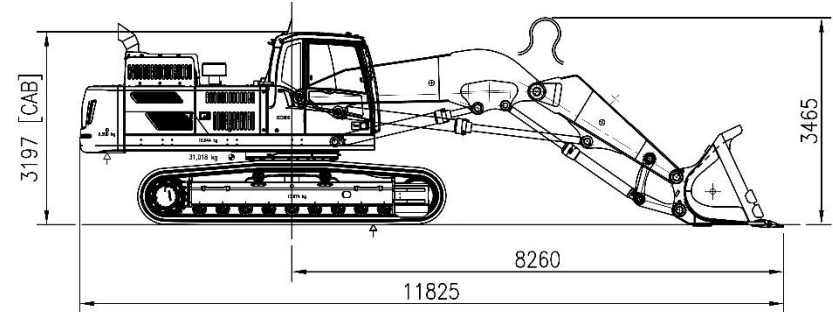


EC350DL with VFS35-28-TD

Working range



Shipping Dimension



Weight (without attachment , cab modification)

Base machine (shoe 600mm)		kg	21,655
CWT	Standard	kg	7,250
	Additional	kg	-
Front (working equipment)		kg	6,500
Total		kg	35,405

Component

FS kit	Boom length	m	4.0
	Arm length	m	2.6
Cylinder	Boom	-	EC350D
	Arm	-	SNS
	Bucket	-	SNS
Bucket	Rock	cu.m / kg	2.0 / 2,350
	General Purpose	cu.m / kg	2.2 / 2,250
	Light Material	cu.m / kg	2.4 / 2,150

Riser cab is available. Refer to "Cabin Modification" for details.