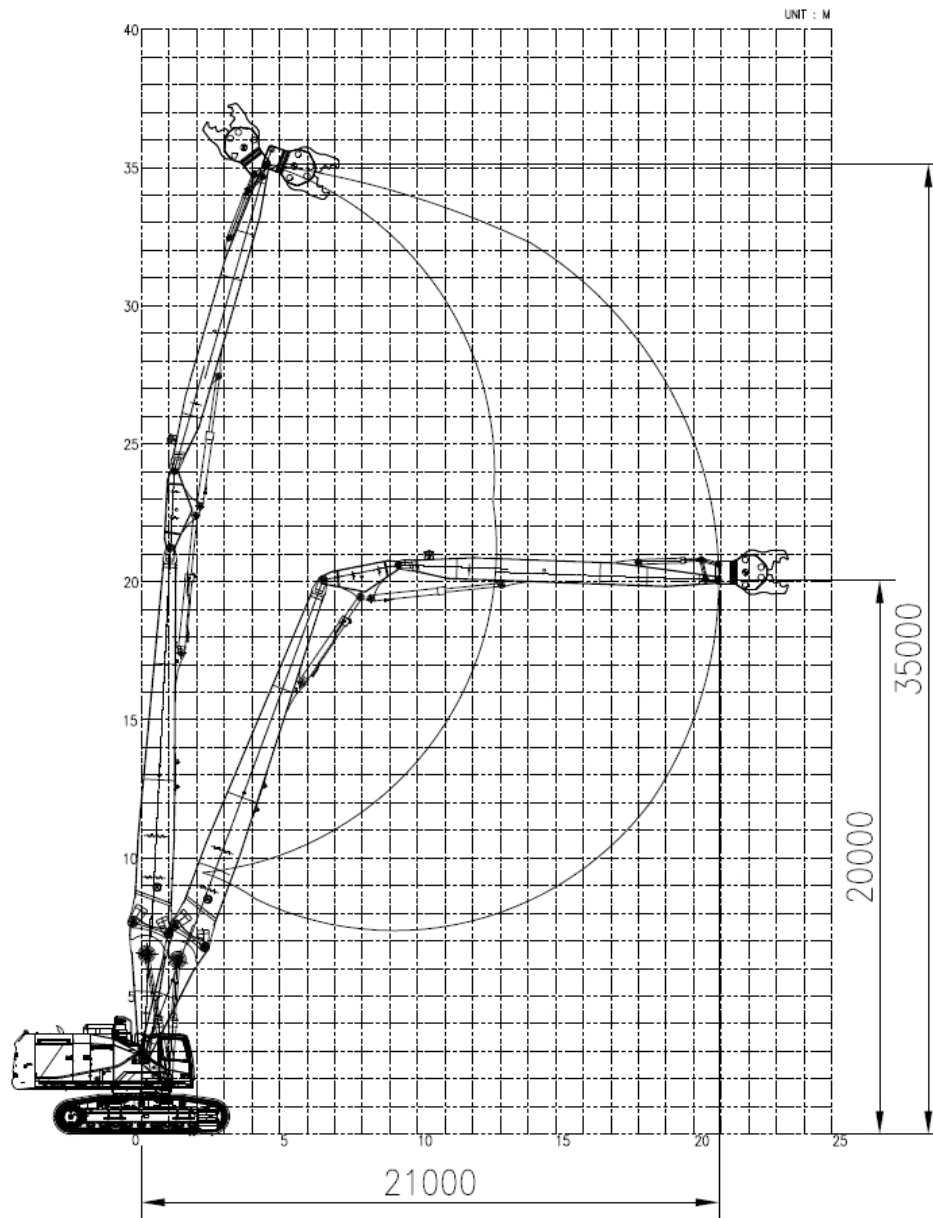
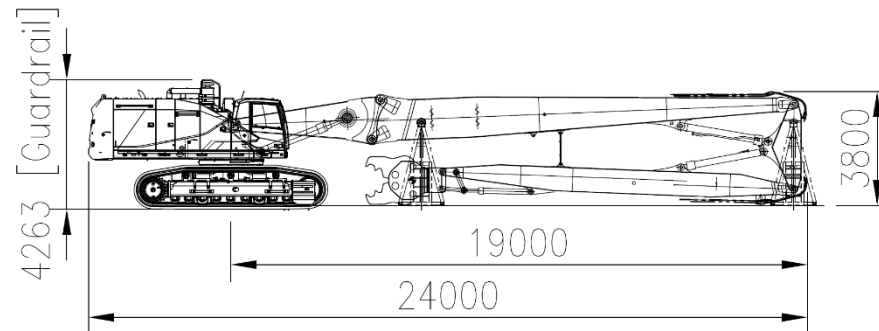


# EC950EL with VDM95-115-3P (35.0m)

## Working range



## Dimension



## Weight (without attachment , cab modification)

Base machine (Shoe 650mm)		kg	54,720
CWT	Factory CW	kg	16,500
	Additional	kg	3,500
Front (working equipment)		kg	23,000
Total		kg	97,720

## Component

DM kit	Boom length	m	18.5
	Mid, Arm length	m	2.8
	End Arm length	m	11.6
Cylinder	Boom	-	EC950E x 2EA EC480E Arm x 1EA
	Mid. Arm	-	EC950E
	End Arm	-	EC750D
	Bucket	-	EC380D
Allowable tool weight		ton	3.8

Tilting cab is available. Refer to "Cabin Modification" for details.

\* Specifications are subject to change for improvement of performance.