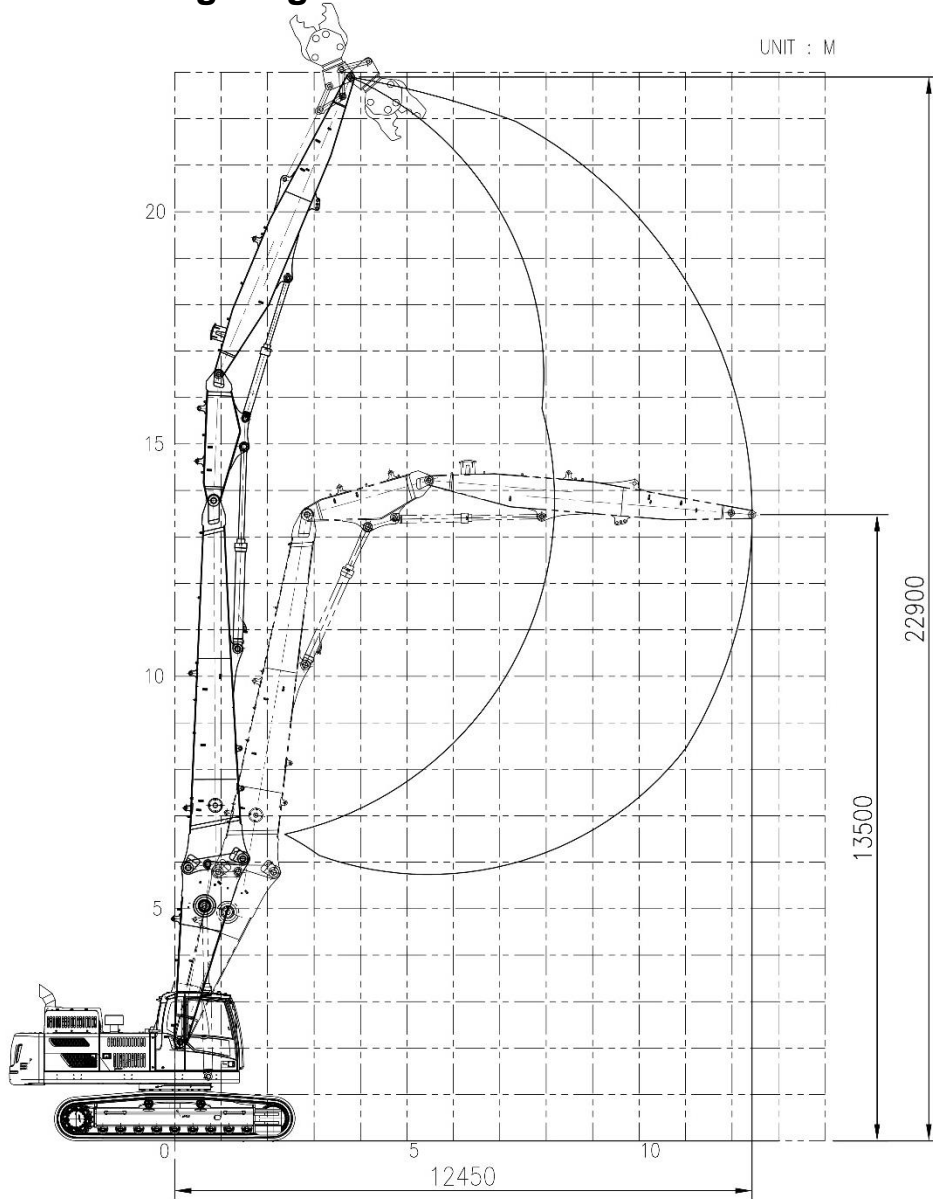
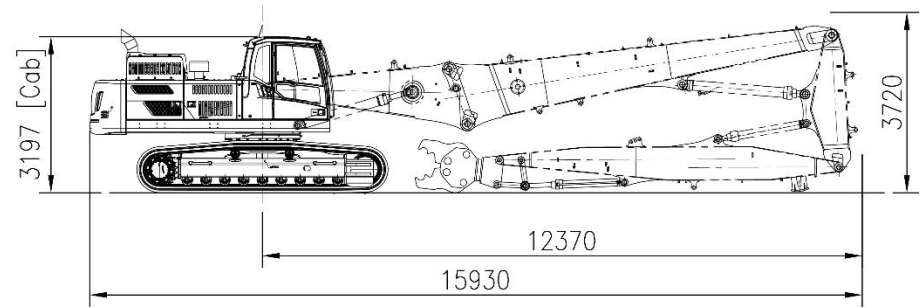


# EC380DL with VDM38-75-3P (23m)

## Working range



## Shipping Dimension



## Weight (without attachment , cab modification)

Base machine (shoe 600mm)		kg	23540
CWT	Factory CW	kg	7550
	Additional	kg	3500
Front (working equipment)		kg	9500
Total		kg	44090

## Component

DM kit	Boom length	m	11.6
	Mid, Arm length	m	2.7
	End Arm length	m	7.0
Cylinder	Boom	-	EC380D
	Mid. Arm	-	EC380D
	End Arm	-	EC250D
	Bucket	-	EC250D
Allowable tool weight		ton	2.6

Tilting cab is available. Refer to "Cabin Modification" for details.