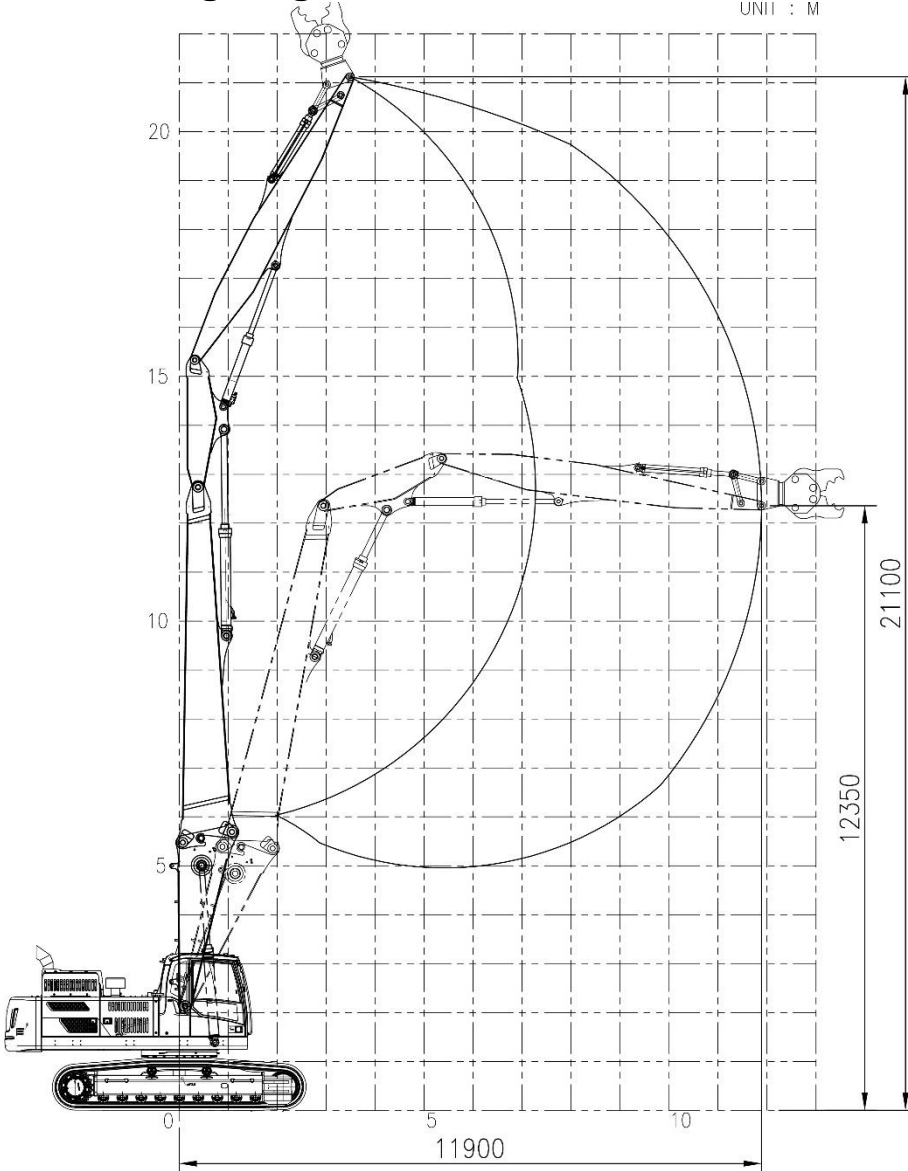


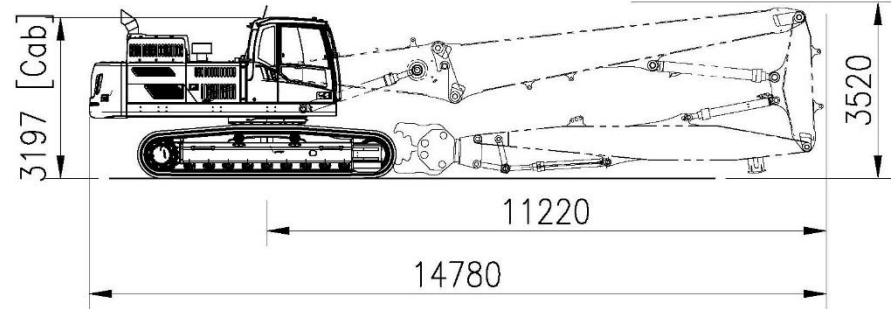
EC350DL with VDM35-69-3P (21m)

Working range

UNIT : M



Shipping Dimension



Weight (without attachment , cab modification)

Base machine (shoe 600mm)		kg	21655
CWT	Factory CW	kg	7250
	Additional	kg	3000
Front (working equipment)		kg	8500
Total		kg	40405

Component

DM kit	Boom length	m	10.6
	Mid, Arm length	m	2.6
	End Arm length	m	6.6
Cylinder	Boom	-	EC350D
	Mid. Arm	-	EC350D
	End Arm	-	EC250D
	Bucket	-	EC250D
Allowable tool weight		ton	2.6

Tilting cab is available. Refer to "Cabin Modification" for details.