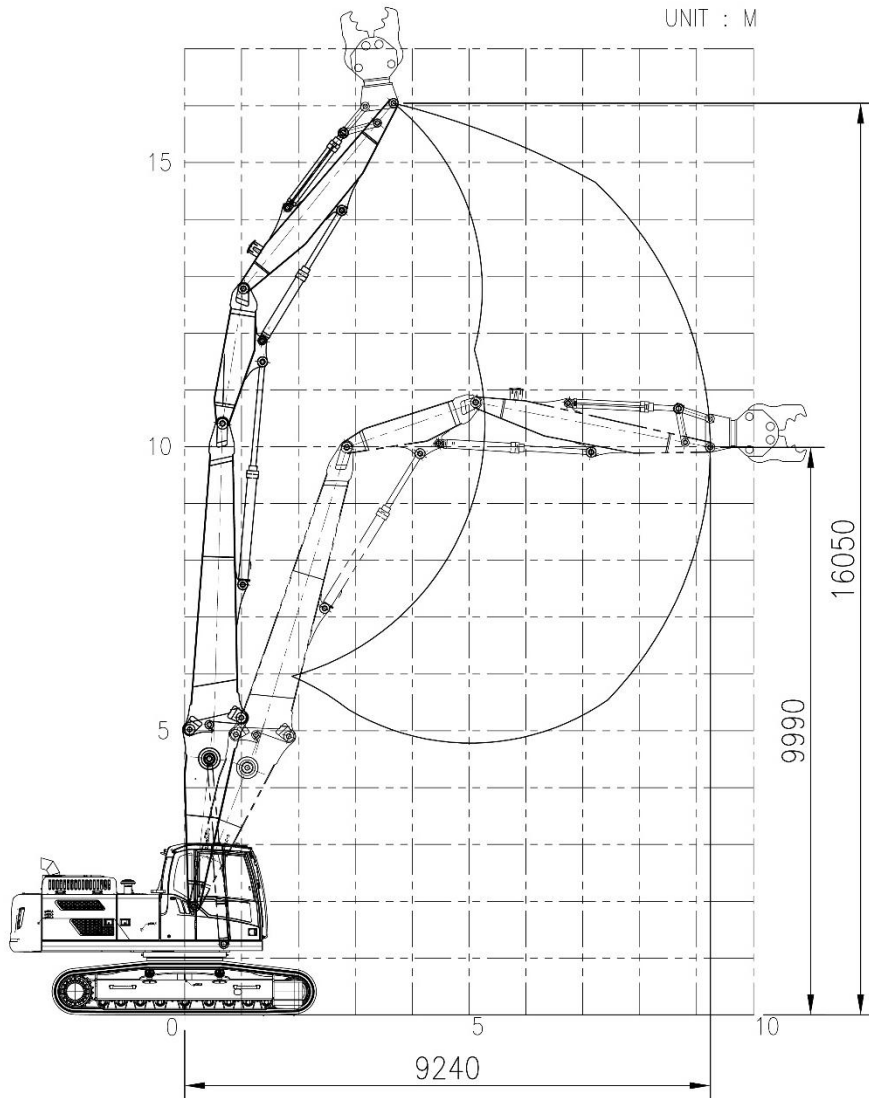
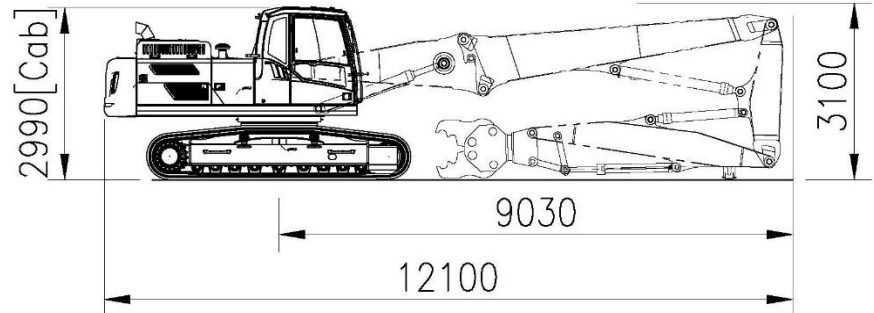


EC250DL with VDM25-53-3P (16m)

Working range



Shipping Dimension



Weight (without attachment , cab modification)

Base machine (shoe 600mm)		kg	16492
CWT	Factory CW	kg	4950
	Additional	kg	3300
Front (working equipment)		kg	5900
Total		kg	30592

Component

DM kit	Boom length	m	8.5
	Mid, Arm length	m	2.4
	End Arm length	m	4.2
Cylinder	Boom	-	EC250D
	Mid. Arm	-	EC250D
	End Arm	-	EC220D
	Bucket	-	EC220D
Allowable tool weight		ton	2.2

Tilting cab is available. Refer to "Cabin Modification" for details.