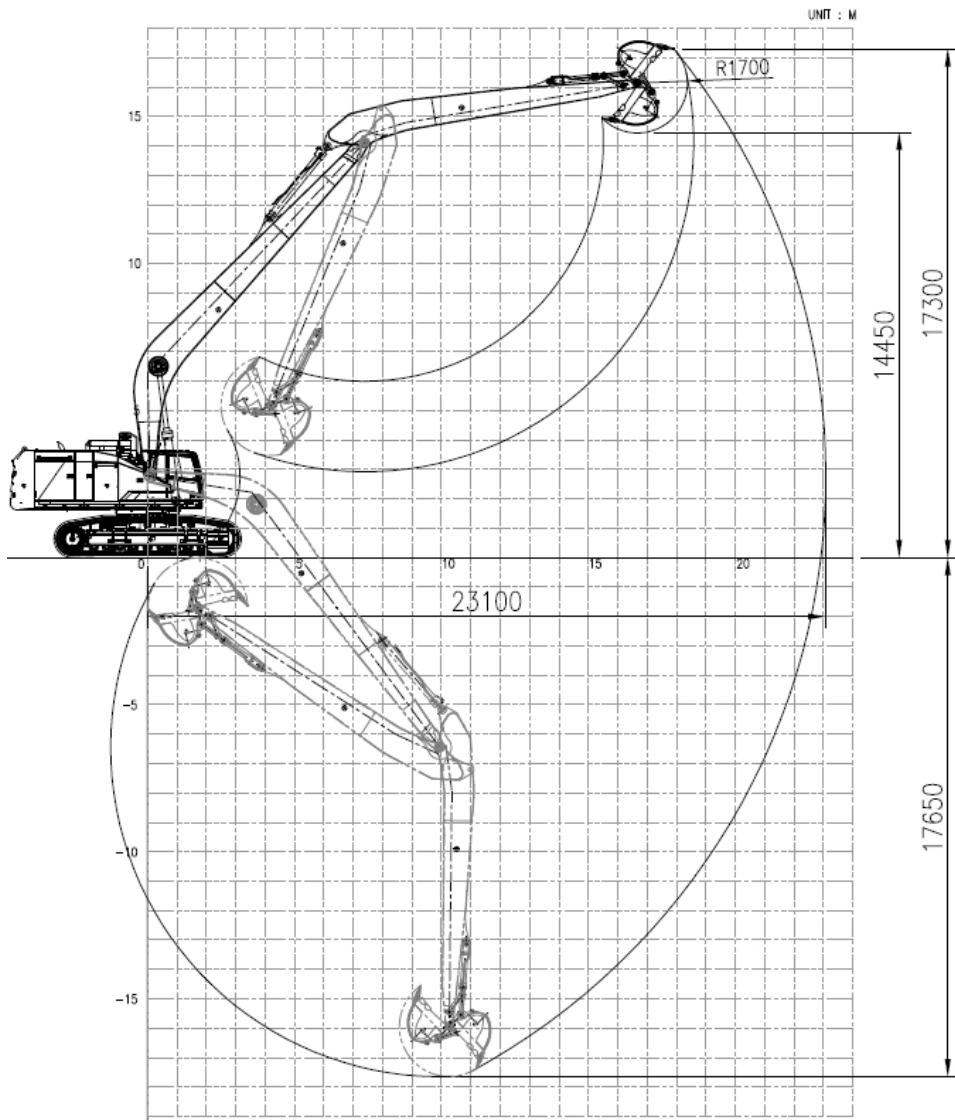
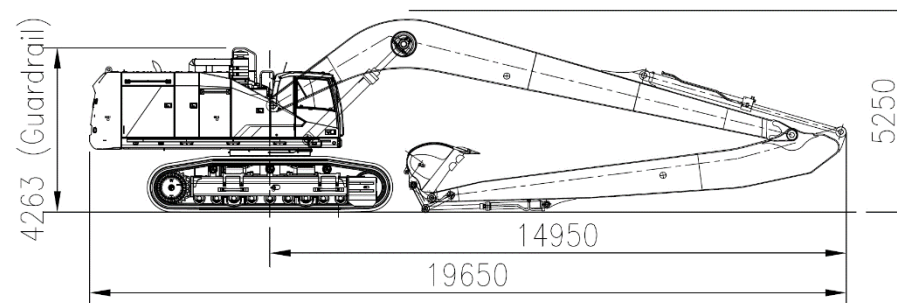


# EC950EL with VLR95-77 (23.1m)

## Working range



## Dimension



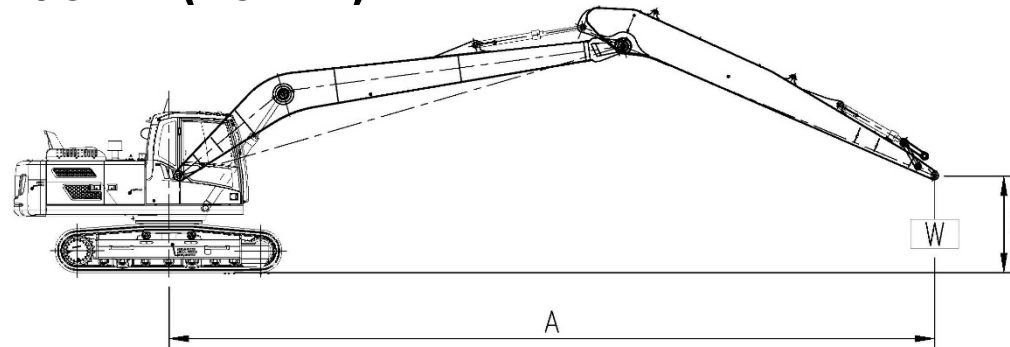
## Weight (without bucket)

Base machine (shoe 650mm)		kg	54,720
CWT	Factory CW	kg	16,195
	Additional	kg	4,000
Front (working equipment)		kg	17,400
Total		kg	92,315

## Component

LR kit	Boom length	m	13.5
	Arm length	m	9.5
Cylinder	Boom		EC950E
	Arm		EC950E
	Bucket		EC380E
Linkage (C/rod & Yoke)			EC380E
Breakout force-bucket (power boost)		kN	187.7 (SAEJ1179)
Tearout force-arm (power boost)		kN	174.4 (SAEJ1179)
Recommended bucket	GP Bucket	m <sup>3</sup> /kg	2.1m <sup>3</sup> / 1,730 (density : 1.8ton/m <sup>3</sup> )

# EC950EL with VLR95-77 (23.1m)



## Lifting capacity

At arm end without bucket.

Implement pressure : 350 kgf/cm<sup>2</sup>

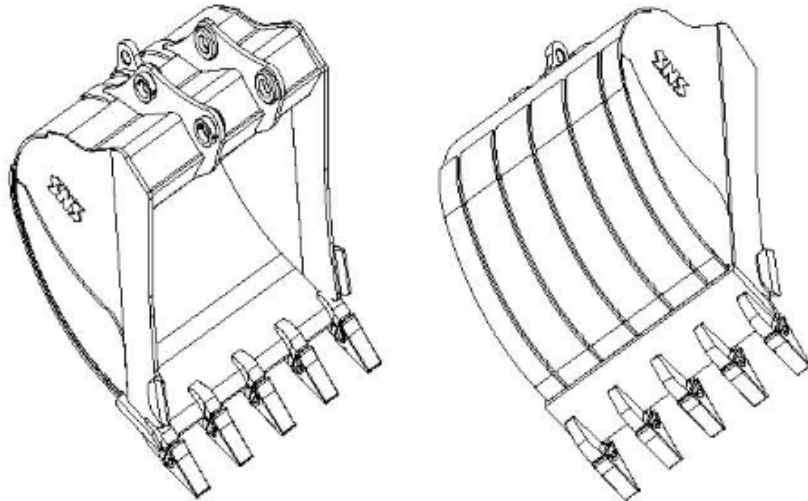
B \ A	3.0m		4.5m		6.0m		7.5m		9.0m		10.5m		12.0m		13.5m		15.0m		16.5m		18.0m		19.5m		21.0m		Max. REACH					
	Along UC	Across UC	Along UC	Across UC	Along UC	Across UC	Along UC	Across UC	Along UC	Across UC	Along UC	Across UC	Along UC	Across UC	Along UC	Across UC	Along UC	Across UC	Along UC	Across UC	Along UC	Across UC	Along UC	Across UC	Along UC	Across UC	Along UC	Across UC	M			
15.0m																														*5240	*5240	@17.54
13.5m																						*5290	*5290							*5150	*5150	@18.50
12.0m																					*5300	*5300								*5120	*5120	@19.29
10.5m																				*5540	*5540	*5380	*5380	*5290	*5290					*5140	*5140	@19.95
9.0m																				*5740	*5740	*5520	*5520	*5370	*5370					*5190	*5190	@20.47
7.5m																														*5280	*5280	@20.86
6.0m																	*7290	*7290	*6730	*6730	*6280	*6280	*5930	*5930	*5650	*5650	*5460	5430	*5410	5340	@21.15	
4.5m						*18720	*18720	*14310	*14310	*11690	*11690	*9950	*9950	*8730	*8730	*7820	*7820	*7130	*7130	*6590	*6590	*6170	*6170	*5830	*5830	*5580	5280	*5540	5090	@21.33		
3.0m						*17680	*17680	*16300	*16300	*13030	*13030	*10910	*10910	*9440	*9440	*8360	*8360	*7550	*7550	*6920	*6920	*6420	*6420	*6030	5970	*5720	5110	*5650	4900	@21.40		
1.5m						*12470	*12470	*17980	*17980	*14250	*14250	*11810	*11810	*10120	*10120	*8890	*8890	*7960	*7960	*7240	*7240	*6670	6660	*6220	5740	*5860	4950	*5780	4770	@21.36		
0.0m						*6200	*6200	*11650	*11650	*19250	*19250	*15260	*15260	*12600	*12600	*10740	*10740	*9380	*9380	*8350	*8350	*7550	7370	*6910	6380	*6400	5530	*5980	4800	*5930	4700	@21.22
-1.5m	*5710	*5710	*8020	*8020	*12400	*12400	*20060	*20060	*16020	*16020	*13250	*13250	*11270	11170	*9810	9500	*8690	8160	*7820	7060	*7130	6130	*6560	5340					*6100	4690	@20.96	
-3.0m	*7980	*7980	*10050	*10050	*13910	*13910	*20530	19880	*16540	15580	*13730	12740	*11680	10680	*10150	9100	*8980	7830	*8050	6800	*7300	5930	*6680	5200					*6280	4730	@20.80	
-4.5m	*10190	*10190	*12240	*12240	*15880	*15880	*20730	19510	*16830	15180	*14040	12350	*11980	10330	*10410	8800	*9190	7580	*8220	6590	*7420	5780	*6740	5090					*6480	4850	@20.12	
-6.0m	*12460	*12460	*14590	*14590	*18220	*18220	*20630	19400	*16900	14970	*14170	12110	*12130	10100	*10550	8590	*9310	7410	*8300	6460	*7450	5680	*6710	5050					*6700	5050	@19.51	
-7.5m	*14840	*14840	*17140	*17140	*20920	*20920	*20280	19450	*16740	14920	*14130	12020	*12130	9990	*10560	8490	*9310	7330	*8270	6410	*7370	5660							*6940	5350	@18.76	
-9.0m	*17390	*17390	*19950	*19950	*24040	*24040	*19660	*19660	*16350	15020	*13870	12060	*11950	10000	*10410	8490	*9160	7330	*8090	6430									*7200	5800	@17.85	
-10.5m	*20160	*20160	*23090	*23090	*22920	*22920	*18730	*18730	*15690	15250	*13380	12210	*11550	10120	*10060	8590	*8800	7440	*7670	6570									*7470	6440	@16.76	
-12.0m	*23240	*23240	*26650	*26650	*21130	*21130	*17430	*17430	*14710	*14710	*12590	12500	*10870	10350	*9420	8810	*8130	7670											*7750	7400	@15.45	
-13.5m			*23330	*23330	*18780	*18780	*15660	*15660	*13300	*13300	*11390	*11390	*9790	*9790	*8340	*8340													*8010	*8010	@13.85	
-15.0m					*15660	*15660	*13220	*13220	*11260	*11260	*9580	*9580																	*8170	*8170	@11.85	

unit : kg

- Notes :
- Machine in "Implement Pressure" for lifting capacities.
  - The above loads are in compliance with SAE J1097 and ISO 10567 Hydraulic Excavator lifting capacity Standards.
  - Rated loads do not exceed 87% of hydraulic capacity or 75% of tipping load.
  - Rated loads marked with an asterisk(\*) are limited by hydraulic capacity rather than tipping load..

## EC950EL with VLR95-77 (23.1m)

### ■ GP(General Purpose) Bucket



- Optimal profile being capable of maximum excavation efficiently.
- Eminent abrasive resistant capability ensured by adopting HARDOX400 in critical area.
- Ultimate bending and torsional stiffness imposed in upper beam
- Abrasive resistant material being used in mounting boss with ARM.
- Sided pin type teeth without losing of point.
- Corner digging effect aggrandized by aligning edge teeth with side cutting plate
- Abrasive resistant extra-plate in bottom and side region qualifying HD class performances.
- Welding typed single side cutter .

# EC950EL with VLR95-77 (23.1m)

## GP Bucket Breakdown

