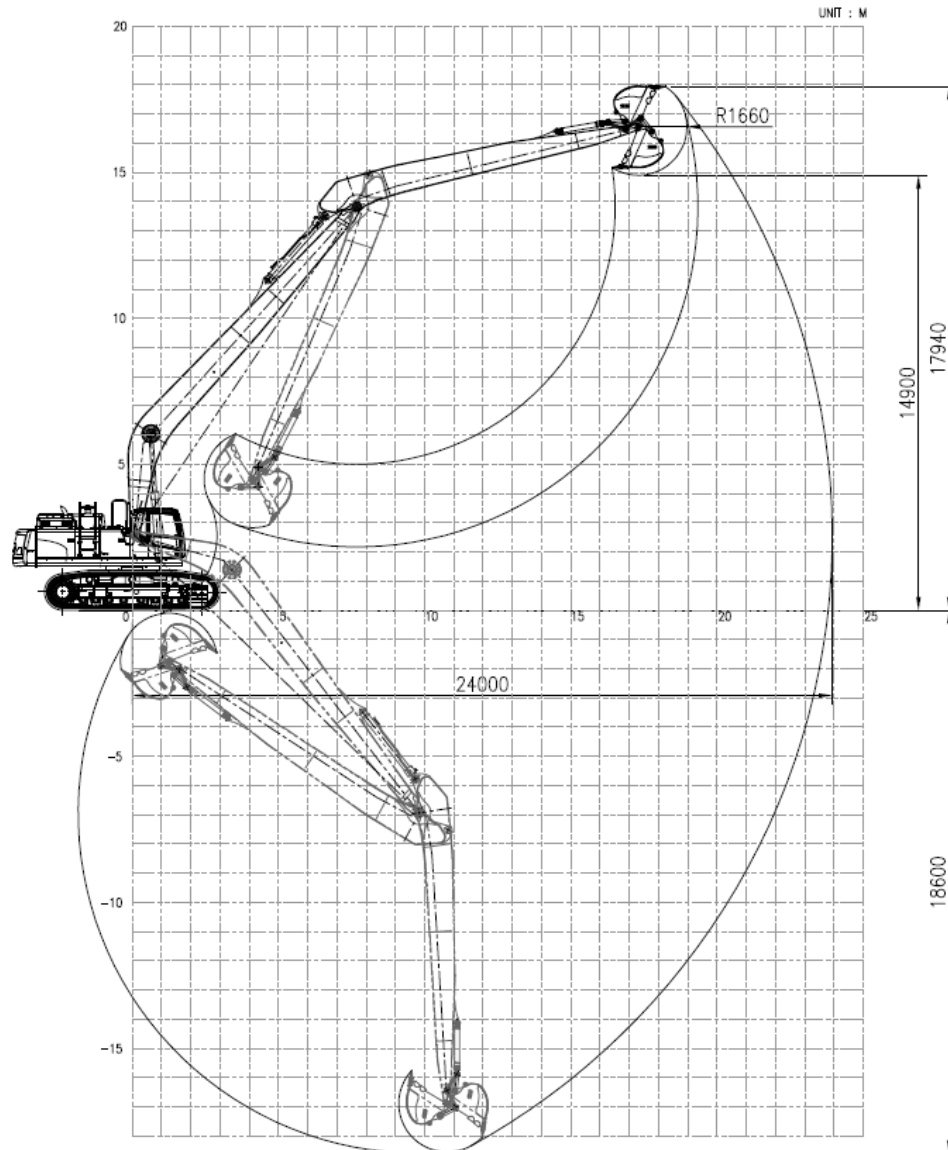
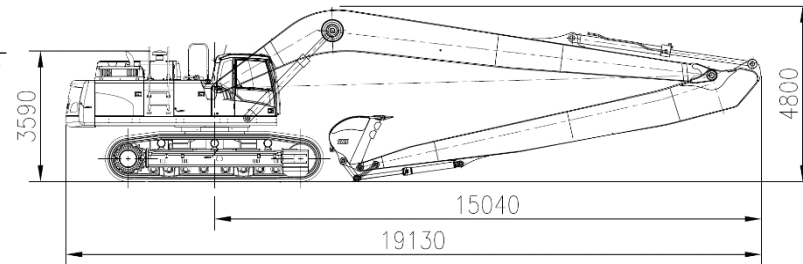


# EC750DL with VLR75-80 (24.0m)

## Working range



## Dimension



## Weight (without bucket)

Base machine (shoe 600mm)		kg	44,855
CWT	Factory CW	kg	12,700
	Additional	kg	3,500
Front (working equipment)		kg	14,490
Total		kg	75,545

## Component

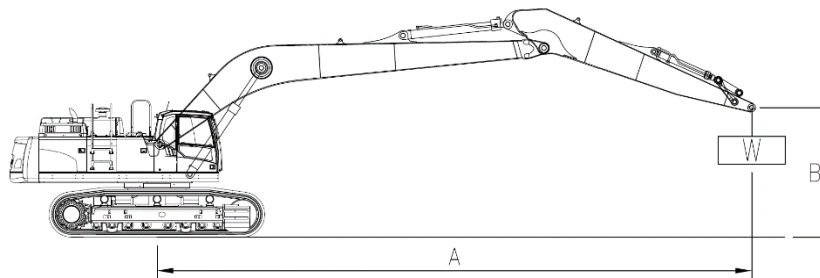
LR kit	Boom length	m	13.6
	Arm length	m	10.0
Cylinder	Boom		EC750D
	Arm		EC750D
	Bucket		EC300D
Linkage (C/rod & Yoke)			EC300D
Breakout force-bucket (power boost)		kN	164.0 (SAEJ1179)
Tearout force-arm (power boost)		kN	124.3 (SAEJ1179)
Recommended Bucket	GP Bucket	m <sup>3</sup> /kg	0.86 / 970
			(Density : 1,800kg/m <sup>3</sup> )

# EC750DL with VLR75-80 (24.0m)

## Lifting capacity

At arm end without bucket.

- Implement pressure : 350 kgf/cm<sup>2</sup>
- Power Boost pressure : 365 kgf/cm<sup>2</sup>



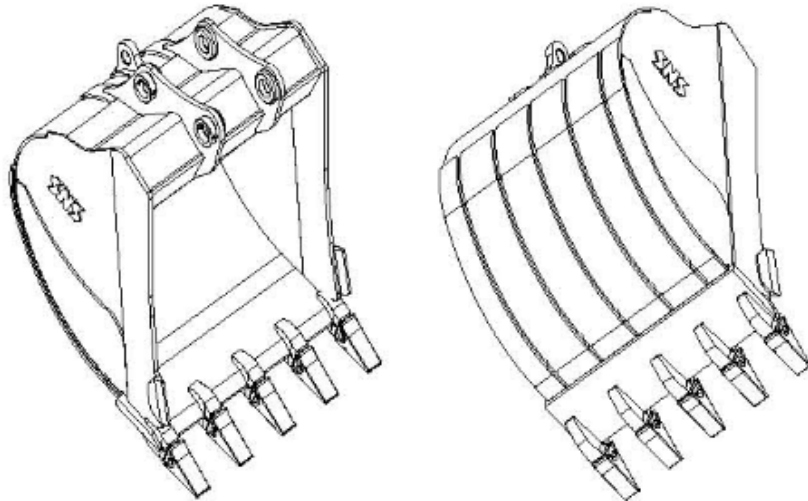
B \ A	4.5m		6.0m		7.5m		9.0m		10.5m		12.0m		13.5m		15.0m		16.5m		18.0m		19.5m		21.0m		Max. REACH								
	Along UC	Across UC	Along UC	Across UC	Along UC	Across UC	Along UC	Across UC	Along UC	Across UC	Along UC	Across UC	Along UC	Across UC	Along UC	Across UC	Along UC	Across UC	Along UC	Across UC	Along UC	Across UC	Along UC	Across UC	Along UC	Across UC	M						
16.5m																													*2040	*2040	@1 7.36		
15.0m																				*2600	*2600								*1950	*1950	@1 8.47		
13.5m																				*3120	*3120								*1880	*1880	@1 9.40		
12.0m																				*3120	*3120	*2840	*2840						*1850	*1850	@2 0.18		
10.5m																				*3160	*3160	*3010	*3010						*1830	*1830	@2 0.82		
9.0m																			*3440	*3440	*3220	*3220	*3040	*3040	*2420	*2420		*1840	*1840	@2 1.33			
7.5m																			*3560	*3560	*3310	*3310	*3100	*3100	*2940	*2940		*1860	*1860	@2 1.73			
6.0m															*4040	*4040	*3690	*3690	*3410	*3410	*3180	*3180	*2990	*2990	*1900	*1900		*1900	*1900	@2 2.02			
4.5m											*5370	*5370	*4730	*4730	*4240	*4240	*3840	*3840	*3520	*3520	*3260	*3260	*3050	*3050	*1950	*1950		*1950	*1950	@2 2.20			
3.0m			*13420	*13420	*10070	*10070	*8050	*8050	*6690	*6690	*5720	*5720	*5000	*5000	*4440	*4440	*4000	*4000	*3640	*3640	*3350	*3350	*3110	2960	*2030	*2030		*2030	*2030	@2 2.28			
1.5m	*4810	*4810	*11320	*11320	*10950	*10950	*8660	*8660	*7140	*7140	*6060	*6060	*5250	*5250	*4640	*4640	*4150	*4150	*3760	*3760	*3440	3370	*3170	2820	*2130	*2130		*2130	*2130	@2 2.26			
0m	*5140	*5140	*9560	*9560	*11620	*11620	*9180	*9180	*7530	*7530	*6360	*6360	*5490	*5490	*4820	*4820	*4290	*4290	*3870	3770	*3520	3180	*3220	2680	*2260	*2260		*2260	*2260	@2 2.13			
-1.5m	*6100	*6100	*9520	*9520	*12060	*12060	*9570	*9570	*7850	*7850	*6620	*6620	*5700	*5700	*4990	4910	*4420	4170	*3970	3550	*3590	3020	*3260	2560	*2420	2330		*2420	2330	@2 1.91			
-3.0m	*7290	*7290	*10210	*10210	*12280	12110	*9820	9510	*8080	7750	*6820	6450	*5860	5440	*5120	4620	*4520	3940	*4040	3370	*3630	2890	*3270	2480	*2620	2340		*2620	2340	@2 1.58			
-4.5m	*8630	*8630	*11300	*11300	*12300	11770	*9920	9130	*8210	7390	*6940	6130	*5970	5170	*5200	4400	*4580	3760	*4070	3230	*3640	2790	*3230	2430		*2870	2400		*2870	2400	@2 1.13		
-6.0m	*10080	*10080	*12670	*12670	*12150	11650	*9890	8930	*8230	7170	*6980	5930	*6000	4990	*5230	4240	*4600	3640	*4060	3150	*3590	2740				*3190	2510		*3190	2510	@2 0.57		
-7.5m	*11640	*11640	*14270	*14270	*11830	11690	*9710	8880	*8130	7080	*6920	5830	*5960	4890	*5180	4160	*4540	3590	*3980	3120	*3460	2750				*3330	2680		*3330	2680	@1 9.87		
-9.0m	*13340	*13340	*14000	*14000	*11320	*11320	*9380	8960	*7900	7110	*6740	5820	*5810	4880	*5040	4160	*4390	3600	*3790	3160							*3380	2930		*3380	2930	@1 9.04	
-10.5m	*15210	*15210	*12990	*12990	*10620	*10620	*8870	*8870	*7520	7240	*6430	5920	*5540	4960	*4780	4240	*4100	3690	*3440	3300							*3420	3290		*3420	3290	@1 8.03	
-12.0m	*14580	*14580	*11700	*11700	*9680	*9680	*8160	*8160	*6940	*6940	*5940	*5940	*5090	*5090	*4340	*4340	*3610	*3610									*3430	*3430		*3430	*3430	@1 6.84	
-13.5m	*12270	*12270	*10050	*10050	*8440	*8440	*7170	*7170	*6120	*6120	*5220	*5220	*4400	*4400	*3600	*3600												*3370	*3370		*3370	*3370	@1 5.41
-15.0m	*9370	*9370	*7940	*7940	*6800	*6800	*5830	*5830	*4950	*4950	*4130	*4130	*3280	*3280														*3180	*3180		*3180	*3180	@1 3.67
-16.5m					*4590	*4590	*3930	*3930	*3210	*3210																		*2680	*2680		*2680	*2680	@1 1.47

unit : kg

- Notes :
1. Machine in "Implement Pressure" for lifting capacities.
  2. The above loads are in compliance with SAE J1097 and ISO 10567 Hydraulic Excavator lifting capacity Standards.
  3. Rated loads do not exceed 87% of hydraulic capacity or 75% of tipping load.
  4. Rated loads marked with an asterisk(\*) are limited by hydraulic capacity rather than tipping load..

## EC750DL with VLR75-80 (24.0m)

### ■ GP(General Purpose) Bucket



- Optimal profile being capable of maximum excavation efficiently.
- Eminent abrasive resistant capability ensured by adopting HARDOX400 in critical area.
- Ultimate bending and torsional stiffness imposed in upper beam
- Abrasive resistant material being used in mounting boss with ARM.
- Sided pin type teeth without losing of point.
- Corner digging effect aggrandized by aligning edge teeth with side cutting plate
- Abrasive resistant extra-plate in bottom and side region qualifying HD class performances.
- Welding typed single side cutter .

# EC750DL with VLR75-80 (24.0m)

## GP Bucket Breakdown

