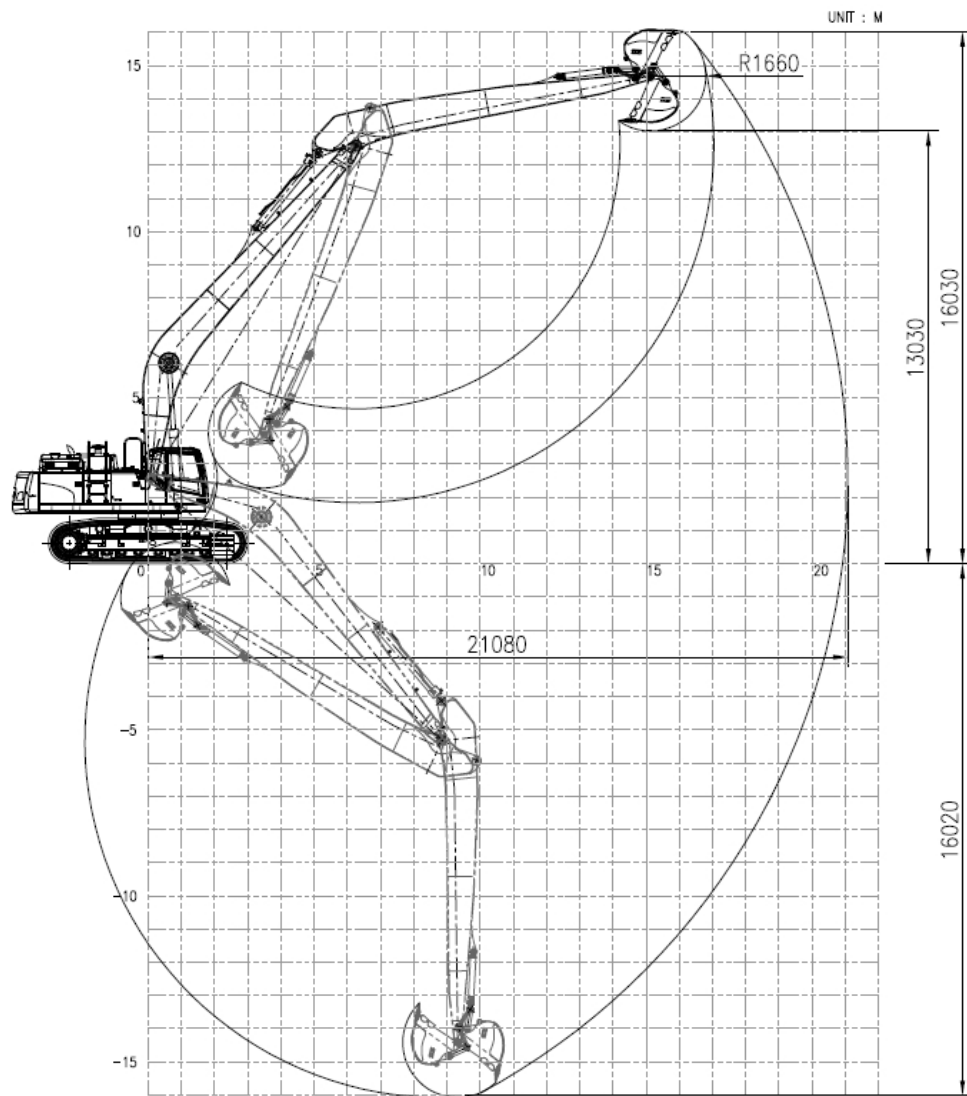
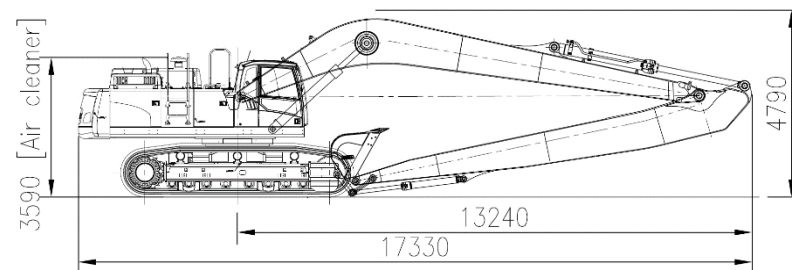


EC750DL with VLR75-70 (21.1m)

Working range



Dimension



Weight (without bucket)

Base machine (shoe 600mm)		kg	44,855
CWT	Factory CW	kg	12,700
	Additional	kg	3,000
Front (working equipment)		kg	13,140
Total		kg	73,695

Component

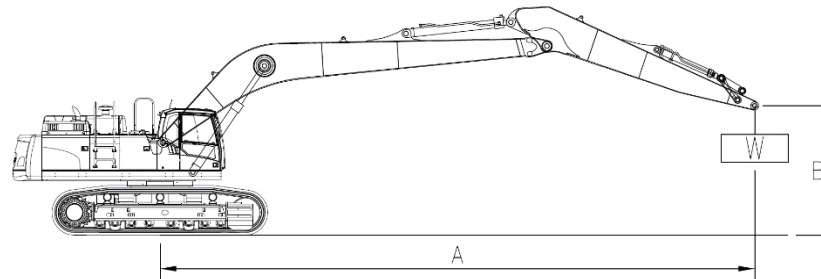
LR kit	Boom length	m	11.8
	Arm length	m	9.1
Cylinder	Boom		EC750D
	Arm		EC750D
	Bucket		EC300D
Linkage (C/rod & Yoke)			EC300D
Breakout force-bucket (power boost)		kN	164.8 (SAEJ1179)
Tearout force-arm (power boost)		kN	139.2 (SAEJ1179)
Recommended Bucket	GP Bucket	m ³ /kg	1.63 / 1,350 (Density : 1,800kg/m ³)

EC750DL with VLR75-70 (21.1m)

Lifting capacity

At arm end without bucket.

- Implement pressure : 350 kgf/cm²
- Power Boost pressure : 365 kgf/cm²



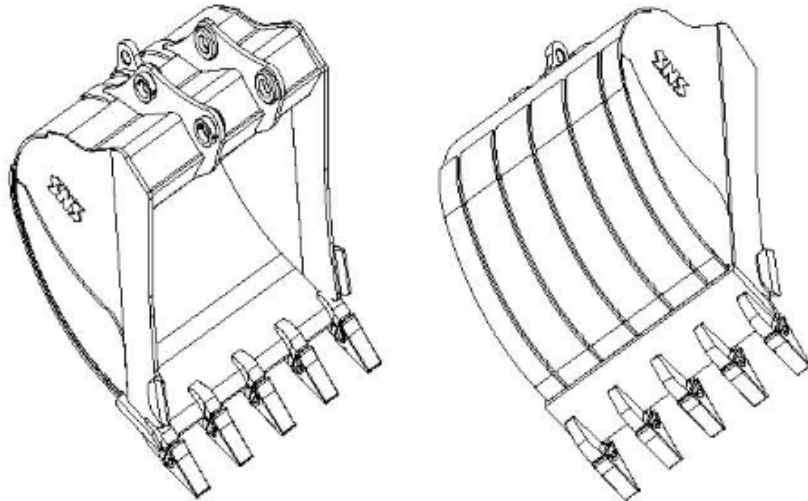
A \ B	4.5m		6.0m		7.5m		9.0m		10.5m		12.0m		13.5m		15.0m		16.5m		18.0m		Max. REACH				
	Along UC	Across UC	Along UC	Across UC	Along UC	Across UC	Along UC	Across UC	Along UC	Across UC	Along UC	Across UC	Along UC	Across UC	Along UC	Across UC	Along UC	Across UC	Along UC	Across UC	Along UC	Across UC	M		
13.5m																							*3490	*3490	@16.03
12.0m																	*4100	*4100					*3410	*3410	@16.96
10.5m																	*4950	*4950					*3390	*3390	@17.71
9.0m																*5220	*5220	*5020	*5020	*3950	*3950	*3390	*3390	@18.32	
7.5m																*5410	*5410	*5140	*5140	*4770	*4770	*3430	*3430	@18.78	
6.0m														*6040	*6040	*5630	*5630	*5300	*5300	*5040	*5040	*3510	*3510	@19.11	
4.5m										*7890	*7890	*7040	*7040	*6390	*6390	*5890	*5890	*5480	*5480	*5160	5080	*3620	*3620	@19.32	
3.0m	*18820	*18820	*15740	*15740	*12200	*12200	*10030	*10030	*8570	*8570	*7530	*7530	*6750	*6750	*6150	*6150	*5670	*5670	*5290	4900	*3760	*3760	@19.41		
1.5m	*10310	*10310	*17750	*17750	*13520	*13520	*10940	*10940	*9220	*9220	*8000	*8000	*7100	*7100	*6410	*6410	*5860	5540	*5410	4730	*3960	*3960	@19.39		
0m	*9210	*9210	*17460	*17460	*14550	*14550	*11700	*11700	*9790	*9790	*8430	*8430	*7420	7340	*6650	6220	*6030	5320	*5520	4560	*4200	4030	@19.25		
-1.5m	*9840	*9840	*15930	*15930	*15230	*15230	*12260	12250	*10230	9970	*8770	8290	*7680	6990	*6840	5960	*6160	5120	*5590	4430	*4510	4040	@18.99		
-3.0m	*11140	*11140	*16250	*16250	*15570	14970	*12610	11720	*10530	9530	*9020	7940	*7870	6720	*6970	5750	*6230	4970	*5600	4330	*4920	4100	@18.60		
-4.5m	*12800	*12800	*17490	*17490	*15610	14630	*12730	11380	*10670	9230	*9130	7690	*7950	6520	*7010	5600	*6220	4860	*5510	4270	*5450	4240	@18.08		
-6.0m	*14750	*14750	*19240	*19240	*15350	14500	*12620	11210	*10620	9070	*9100	7540	*7910	6400	*6930	5520	*6090	4820			*5590	4470	@17.42		
-7.5m	*16970	*16970	*18330	*18330	*14790	14540	*12260	11190	*10360	9020	*8890	7500	*7700	6370	*6690	5510	*5770	4850			*5710	4820	@16.60		
-9.0m	*19520	*19520	*17050	*17050	*13920	*13920	*11620	11290	*9860	9090	*8450	7550	*7270	6430	*6220	5600					*5810	5340	@15.58		
-10.5m	*19160	*19160	*15320	*15320	*12660	*12660	*10650	*10650	*9050	*9050	*7710	*7710	*6530	*6530							*5870	*5870	@14.34		
-12.0m	*15940	*15940	*13030	*13030	*10910	*10910	*9230	*9230	*7800	*7800	*6520	*6520									*5830	*5830	@12.81		
-13.5m			*9980	*9980	*8480	*8480	*7150	*7150	*5860	*5860											*5550	*5550	@10.85		

unit : kg

- Notes :
1. Machine in "Implement Pressure" for lifting capacities.
 2. The above loads are in compliance with SAE J1097 and ISO 10567 Hydraulic Excavator lifting capacity Standards.
 3. Rated loads do not exceed 87% of hydraulic capacity or 75% of tipping load.
 4. Rated loads marked with an asterisk(*) are limited by hydraulic capacity rather than tipping load..

EC750DL with VLR75-70 (21.1m)

■ GP(General Purpose) Bucket



- Optimal profile being capable of maximum excavation efficiently.
- Eminent abrasive resistant capability ensured by adopting HARDOX400 in critical area.
- Ultimate bending and torsional stiffness imposed in upper beam
- Abrasive resistant material being used in mounting boss with ARM.
- Sided pin type teeth without losing of point.
- Corner digging effect aggrandized by aligning edge teeth with side cutting plate
- Abrasive resistant extra-plate in bottom and side region qualifying HD class performances.
- Welding typed single side cutter .

EC750DL with VLR75-70 (21.1m)

GP Bucket Breakdown

