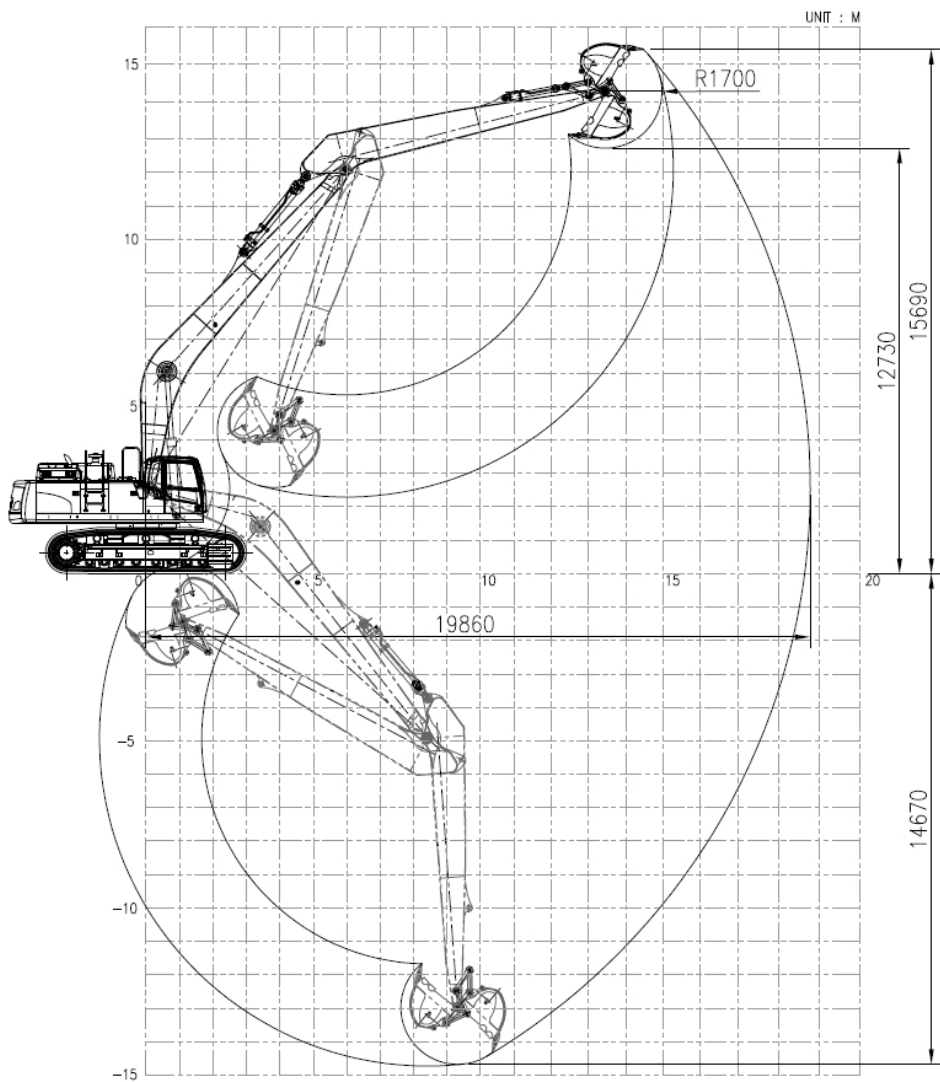
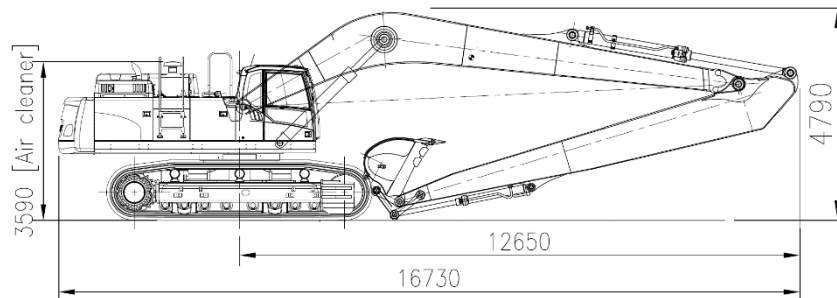


EC750DL with VLR75-65 (19.9m)

Working range



Dimension



Weight (without bucket)

Base machine (shoe 600mm)		kg	44,855
CWT	Factory CW	kg	12,700
	Additional	kg	3,000
Front (working equipment)		kg	12,630
Total		kg	73,185

Component

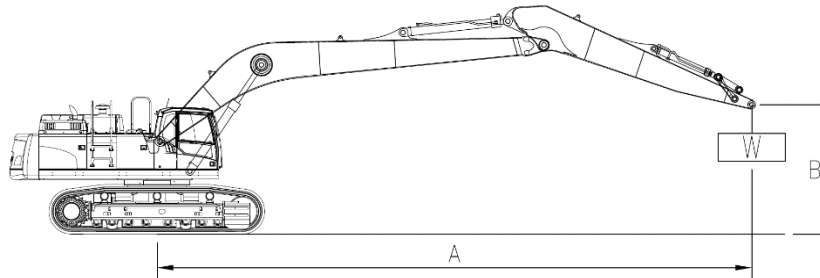
LR kit	Boom length	m	11.2
	Arm length	m	8.1
Cylinder	Boom		EC750D
	Arm		EC750D
	Bucket		EC380D
Linkage (C/rod & Yoke)			EC380D
Breakout force-bucket (power boost)		kN	203.0 (SAEJ1179)
Tearout force-arm (power boost)		kN	154.1 (SAEJ1179)
Recommended Bucket	GP Bucket	m ³ /kg	1.9 / 1,720
			(Density : 1,800kg/m ³)

EC750DL with VLR75-65 (19.9m)

Lifting capacity

At arm end without bucket.

- Implement pressure : 350 kgf/cm²
- Power Boost pressure : 365 kgf/cm²



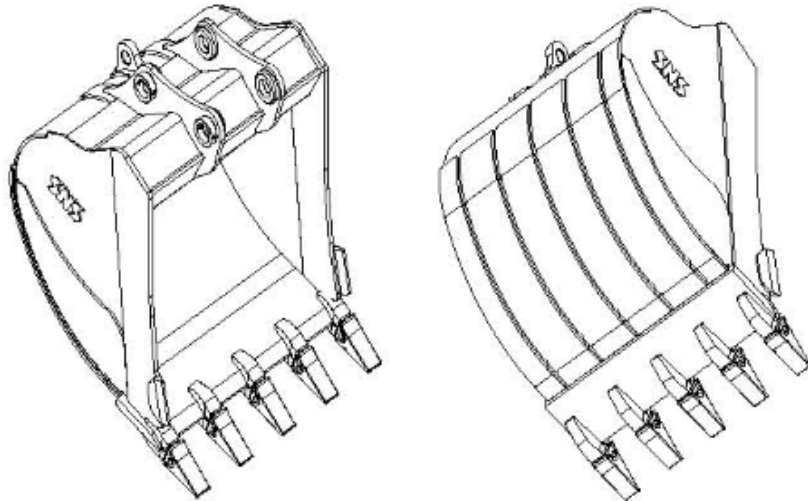
B \ A	4.5m		6.0m		7.5m		9.0m		10.5m		12.0m		13.5m		15.0m		16.5m		18.0m		Max. REACH					
	Along UC	Across UC	Along UC	Across UC	Along UC	Across UC	Along UC	Across UC	Along UC	Across UC	Along UC	Across UC	Along UC	Across UC	Along UC	Across UC	Along UC	Across UC	Along UC	Across UC	Along UC	Across UC	M			
13.5m																						*4440	*4440	@14.48		
12.0m															*5220	*5220							*4320	*4320	@15.50	
10.5m															*5890	*5890							*4270	*4270	@16.32	
9.0m														*6240	*6240	*5980	*5980	*5260	*5260					*4260	*4260	@16.98
7.5m														*6490	*6490	*6140	*6140	*5880	*5880					*4300	*4300	@17.47
6.0m											*7360	*7360	*6800	*6800	*6360	*6360	*6010	*6010					*4390	*4390	@17.83	
4.5m							*10060	*10060	*8780	*8780	*7850	*7850	*7150	*7150	*6600	*6600	*6170	6150	*4680	*4680			*4510	*4510	@18.06	
3.0m	*13670	*13670	*17380	*17380	*13450	*13450	*11070	*11070	*9480	*9480	*8350	*8350	*7500	*7500	*6860	*6860	*6340	5950	*5180	5050			*4690	*4690	@18.16	
1.5m	*8740	*8740	*19340	*19340	*14770	*14770	*11980	*11980	*10130	*10130	*8820	*8820	*7850	*7850	*7100	6760	*6500	5760	*5370	4920			*4930	4860	@18.13	
0m	*8670	*8670	*17100	*17100	*15740	*15740	*12710	*12710	*10670	*10670	*9220	9090	*8140	7660	*7310	6510	*6630	5580					*5230	4820	@17.98	
-1.5m	*9950	*9950	*16490	*16490	*16330	*16330	*13220	12850	*11080	10460	*9530	8710	*8370	7370	*7450	6300	*6700	5430					*5630	4860	@17.70	
-3.0m	*11840	*11840	*17550	*17550	*16540	15860	*13480	12400	*11310	10100	*9720	8420	*8490	7150	*7520	6140	*6680	5330					*6150	4980	@17.28	
-4.5m	*14100	*14100	*19560	*19560	*16410	15610	*13480	12150	*11350	9870	*9740	8230	*8480	7000	*7450	6040	*6520	5290					*6380	5190	@16.72	
-6.0m	*16730	*16730	*19770	*19770	*15940	15560	*13200	12050	*11160	9760	*9580	8140	*8300	6940	*7200	6020							*6490	5530	@16.01	
-7.5m	*19780	*19780	*18530	*18530	*15120	*15120	*12620	12090	*10700	9780	*9170	8160	*7870	6970	*6660	6100							*6580	6050	@15.10	
-9.0m	*20990	*20990	*16820	*16820	*13890	*13890	*11680	*11680	*9910	*9910	*8420	8290	*7060	*7060									*6610	*6610	@13.98	
-10.5m	*17730	*17730	*14510	*14510	*12140	*12140	*10240	*10240	*8630	*8630	*7140	*7140											*6540	*6540	@12.58	
-12.0m	*13480	*13480	*11380	*11380	*9640	*9640	*8070	*8070	*6530	*6530													*6210	*6210	@10.80	

unit : kg

- Notes :
1. Machine in "Implement Pressure" for lifting capacities.
 2. The above loads are in compliance with SAE J1097 and ISO 10567 Hydraulic Excavator lifting capacity Standards.
 3. Rated loads do not exceed 87% of hydraulic capacity or 75% of tipping load.
 4. Rated loads marked with an asterisk(*) are limited by hydraulic capacity rather than tipping load..

EC750DL with VLR75-65 (19.9m)

■ GP(General Purpose) Bucket



- Optimal profile being capable of maximum excavation efficiently.
- Eminent abrasive resistant capability ensured by adopting HARDOX400 in critical area.
- Ultimate bending and torsional stiffness imposed in upper beam
- Abrasive resistant material being used in mounting boss with ARM.
- Sided pin type teeth without losing of point.
- Corner digging effect aggrandized by aligning edge teeth with side cutting plate
- Abrasive resistant extra-plate in bottom and side region qualifying HD class performances.
- Welding typed single side cutter .

EC750DL with VLR75-65 (19.9m)

GP Bucket Breakdown

