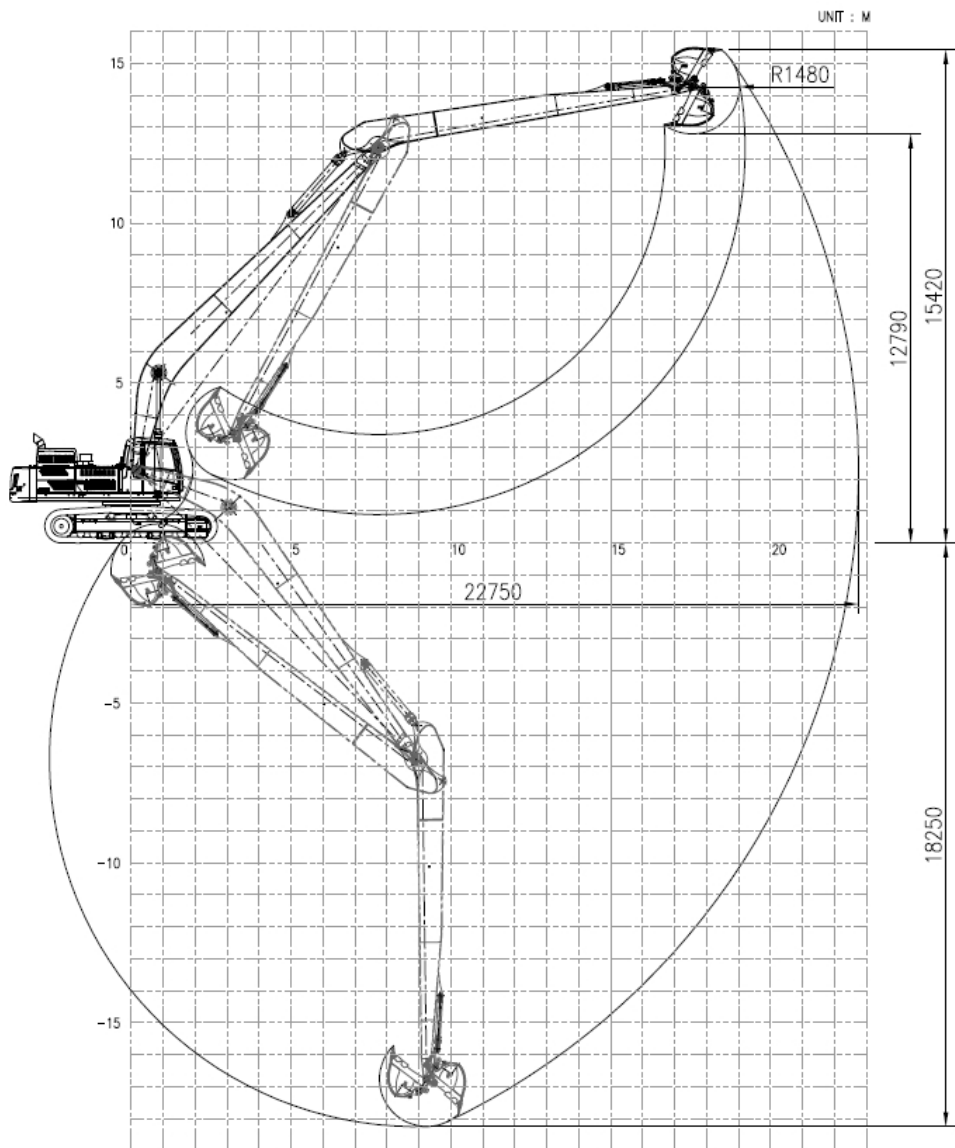
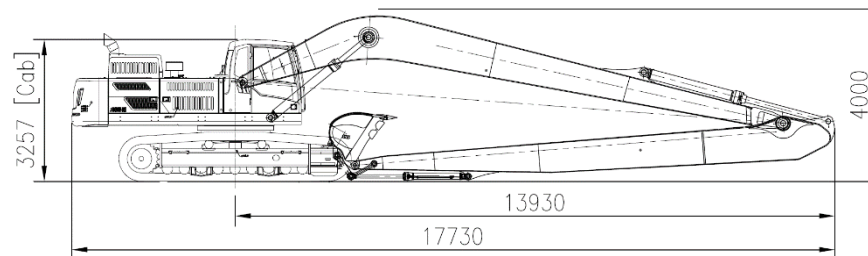


EC480DL with VLR48-75 (22.8m)

Working range



Dimension



Weight (without bucket)

Base machine (shoe 600mm)		kg	28,928
CWT	Factory CW	kg	9,750
	Additional	kg	3,000
Front (working equipment)		kg	9,340
Total		kg	51,018

Component

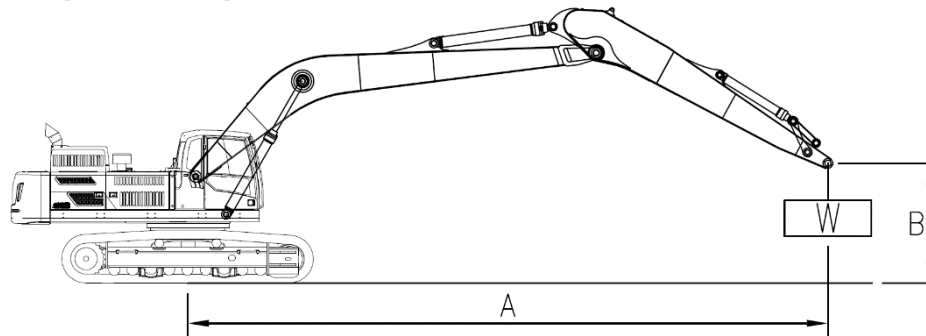
LR kit	Boom length	m	12.6
	Arm length	m	10.0
Cylinder	Boom		EC480D
	Arm		EC480D
	Bucket		EC220D
Linkage (C/rod & Yoke)			EC220D
Breakout force-bucket (power boost)		kN	134.0 (SAEJ1179)
Tearout force-arm (power boost)		kN	92.0 (SAEJ1179)
Recommended Bucket	GP Bucket	m ³ /kg	0.6 / 670 (Density : 1,800kg/m ³)

EC480DL with VLR48-75 (22.8m)

Lifting capacity

At arm end without bucket.

- Implement pressure : 330 kgf/cm²
- Power Boost pressure : 360 kgf/cm²



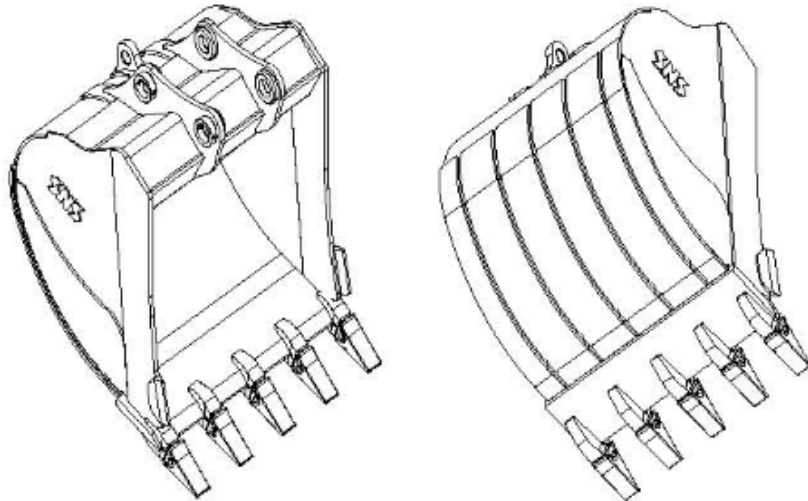
A \ B	4.5m		6.0m		7.5m		9.0m		10.5m		12.0m		13.5m		15.0m		16.5m		18.0m		19.5m		21.0m		Max. REACH					
	Along UC	Across UC	Along UC	Across UC	Along UC	Across UC	Along UC	Across UC	Along UC	Across UC	Along UC	Across UC	Along UC	Across UC	Along UC	Across UC	Along UC	Across UC	Along UC	Across UC	Along UC	Across UC	Along UC	Across UC	Along UC	Across UC	M			
13.5m																				*2250	*2250						*2250	*2250	@18.04	
12.0m																					*2210	*2210						*2250	*2250	@18.90
10.5m																					*2230	*2230	*2270	*2270				*2270	*2270	@19.60
9.0m																					*2290	*2290	*2290	*2290				*2280	2250	@20.17
7.5m																		*2430	*2430	*2370	*2370	*2340	*2340				*2310	2050	@20.62	
6.0m																		*2580	*2580	*2480	*2480	*2420	2340				*2350	1890	@20.94	
4.5m																					*2610	*2610	*2510	2240	*2460	1810	*2420	1770	@21.16	
3.0m																					*2750	2580	*2620	2130	*2540	1740	*2500	1670	@21.26	
1.5m	*5540	*5540	*9790	*9790	*7300	*7300	*5830	*5830	*4870	*4870	*4220	*4220	*3740	*3740	*3380	*3380	*3110	2910	*2900	2430	*2740	2020	*2620	1660	*2610	1610	@21.26			
0m	*4650	*4650	*9390	*9390	*8230	*8230	*6500	*6500	*5380	*5380	*4600	*4600	*4040	3880	*3620	3250	*3300	2730	*3050	2290	*2860	1910	*2710	1590	*2700	1560	@21.15			
-1.5m	*4950	*4950	*8340	*8340	*8980	7920	*7080	6320	*5830	5170	*4950	4290	*4320	3600	*3840	3030	*3480	2560	*3190	2160	*2970	1820				*2800	1540	@20.94		
-3.0m	*5680	*5680	*8460	*8460	*9540	7390	*7560	5870	*6220	4800	*5270	4000	*4570	3360	*4050	2840	*3650	2410	*3330	2050	*3070	1740				*2910	1550	@20.61		
-4.5m	*6620	*6620	*9110	*9110	*9920	7080	*7910	5570	*6520	4540	*5530	3780	*4790	3180	*4230	2700	*3790	2300	*3440	1970	*3150	1690				*3030	1590	@20.16		
-6.0m	*7720	*7720	*10100	9520	*10140	6930	*8150	5400	*6750	4370	*5730	3630	*4960	3050	*4370	2600	*3900	2220	*3520	1920	*3190	1670				*3170	1660	@19.59		
-7.5m	*8960	*8960	*11350	9580	*10210	6900	*8270	5330	*6880	4290	*5850	3540	*5070	2980	*4460	2540	*3960	2190	*3550	1910						*3320	1770	@18.88		
-9.0m	*10350	*10350	*12840	9740	*10120	6970	*8260	5340	*6910	4280	*5890	3530	*5110	2970	*4480	2540	*3960	2200	*3490	1950						*3490	1940	@18.02		
-10.5m	*11920	*11920	*12420	10010	*9880	7130	*8120	5440	*6820	4350	*5830	3580	*5050	3020	*4400	2590	*3840	2270								*3670	2190	@16.98		
-12.0m	*13740	*13740	*11750	10380	*9440	7380	*7800	5620	*6580	4490	*5630	3700	*4850	3130	*4180	2710										*3870	2560	@15.73		
-13.5m	*13960	*13960	*10800	*10800	*8750	7720	*7280	5890	*6150	4710	*5230	3900	*4450	3330												*4090	3130	@14.21		
-15.0m	*12030	*12030	*9450	*9450	*7720	*7720	*6440	6270	*5410	5040	*4510	4220														*4320	4080	@12.32		
-16.5m					*6170	*6170	*5080	*5080																			*4530	*4530	@9.84	

unit : kg

- Notes :
1. Machine in "Fine Mode-F"(Power Boost) for lifting capacities.
 2. The above loads are in compliance with SAE J1097 and ISO 10567 Hydraulic Excavator lifting capacity Standards.
 3. Rated loads do not exceed 87% of hydraulic capacity or 75% of tipping load.
 4. Rated loads marked with an asterisk(*) are limited by hydraulic capacity rather than tipping load..

EC480DL with VLR48-75 (22.8m)

■ GP(General Purpose) Bucket



- Optimal profile being capable of maximum excavation efficiently.
- Eminent abrasive resistant capability ensured by adopting HARDOX400 in critical area.
- Ultimate bending and torsional stiffness imposed in upper beam
- Abrasive resistant material being used in mounting boss with ARM.
- Sided pin type teeth without losing of point.
- Corner digging effect aggrandized by aligning edge teeth with side cutting plate
- Abrasive resistant extra-plate in bottom and side region qualifying HD class performances.
- Welding typed single side cutter .

EC480DL with VLR48-75 (22.8m)

GP Bucket Breakdown

