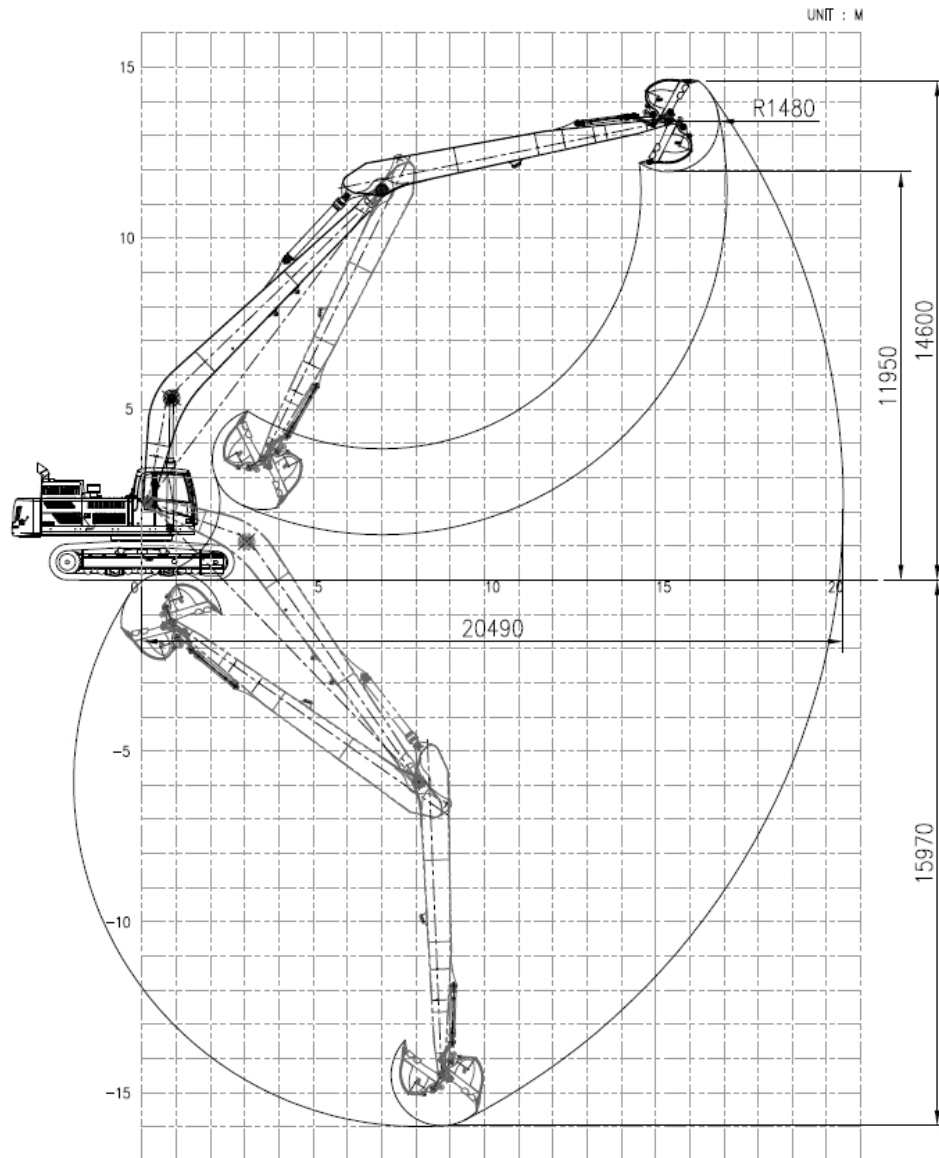
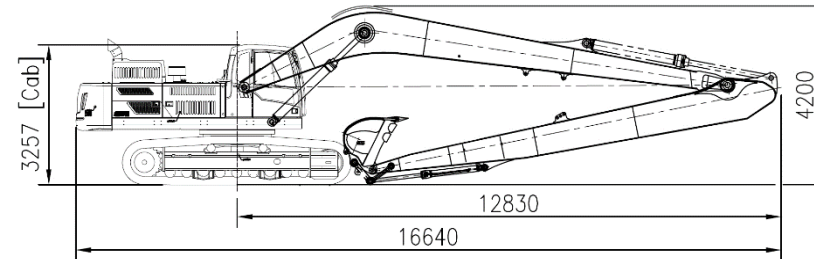


# EC480DL with VLR48-68 (20.5m)

## Working range



## Dimension



## Weight (without bucket)

Base machine (shoe 600mm)		kg	28,928
CWT	Factory CW	kg	9,750
	Additional	kg	3,000
Front (working equipment)		kg	8,450
Total		kg	50,128

## Component

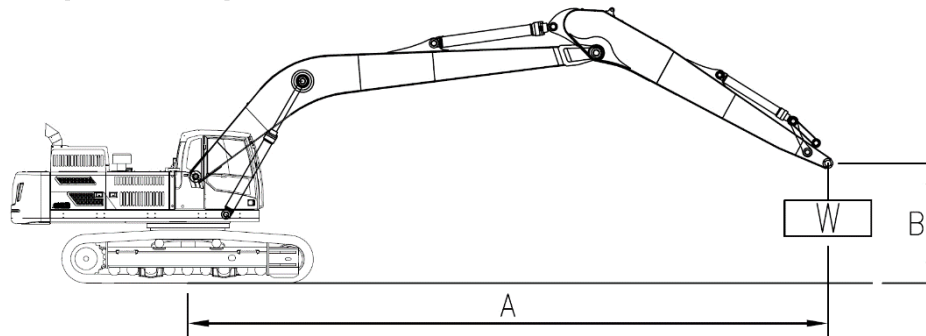
LR kit	Boom length	m	11.4
	Arm length	m	8.6
Cylinder	Boom		EC480D
	Arm		EC480D
	Bucket		EC220D
Linkage (C/rod & Yoke)			EC220D
Breakout force-bucket (power boost)		kN	132.7 (SAEJ1179)
Tearout force-arm (power boost)		kN	110.8 (SAEJ1179)
Recommended Bucket	GP Bucket	m <sup>3</sup> /kg	0.92 / 820 (Density : 1,800kg/m <sup>3</sup> )

# EC480DL with VLR48-68 (20.5m)

## Lifting capacity

At arm end without bucket.

- Implement pressure : 330 kgf/cm<sup>2</sup>
- Power Boost pressure : 360 kgf/cm<sup>2</sup>



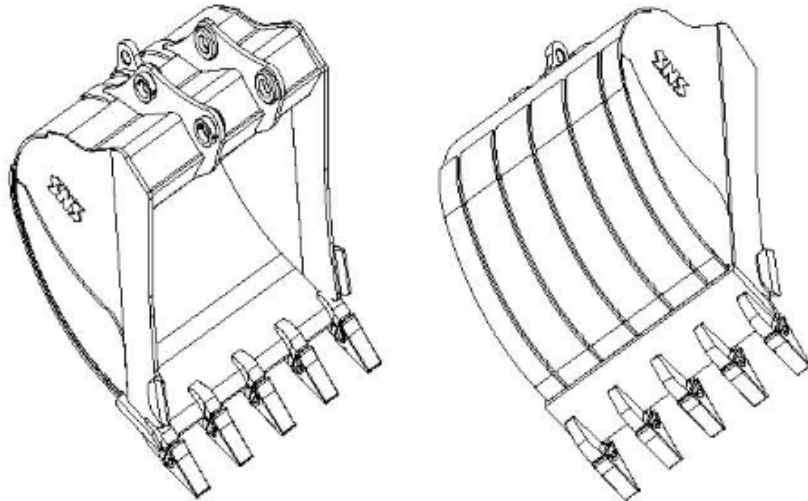
B \ A	4.5m		6.0m		7.5m		9.0m		10.5m		12.0m		13.5m		15.0m		16.5m		18.0m		Max. REACH						
	Along UC	Across UC	Along UC	Across UC	Along UC	Across UC	Along UC	Across UC	Along UC	Across UC	Along UC	Across UC	Along UC	Across UC	Along UC	Across UC	Along UC	Across UC	Along UC	Across UC	Along UC	Across UC	M				
12.0m																							*2700	*2700	@16.30		
10.5m																		*3200	*3200					*2650	*2650	@17.12	
9.0m																		*3230	*3230					*2640	*2640	@17.77	
7.5m																	*3370	*3370	*3320	*3320	*3120	3060	*2660	*2660	@18.27		
6.0m																	*3560	*3560	*3460	*3460	*3410	2990	*2700	*2700	@18.64		
4.5m																	*4010	*4010	*3790	*3790	*3630	3490	*3530	2910	*2760	2600	@18.88
3.0m	*13580	*13580						*6140	*6140	*5320	*5320	*4750	*4750	*4340	*4340	*4040	4000	*3820	3350	*3660	2810	*2860	2490	*2700	2600	@19.00	
1.5m	*6650	*6650	*11500	*11500	*8650	*8650	*6990	*6990	*5930	*5930	*5200	*5200	*4680	4530	*4300	3800	*4010	3210	*3810	2710	*2980	2420	*2980	2420	@18.99		
0m	*5900	*5900	*12050	*12050	*9720	9540	*7770	7570	*6500	6160	*5640	5110	*5010	4280	*4560	3620	*4210	3080	*3950	2620	*3140	2390	*3140	2390	@18.88		
-1.5m	*6460	*6460	*10970	*10970	*10540	8930	*8410	7090	*7010	5800	*6030	4830	*5320	4070	*4790	3460	*4390	2960	*4080	2550	*3350	2390	*3350	2390	@18.63		
-3.0m	*7530	*7530	*11310	*11310	*11130	8540	*8920	6750	*7420	5530	*6360	4610	*5590	3910	*5000	3340	*4550	2870	*4180	2500	*3610	2440	*3610	2440	@18.26		
-4.5m	*8870	*8870	*12360	11300	*11480	8330	*9260	6550	*7730	5340	*6620	4460	*5790	3790	*5160	3250	*4650	2820					*3960	2530	@17.76		
-6.0m	*10440	*10440	*13890	11300	*11630	8250	*9450	6450	*7910	5240	*6780	4380	*5920	3720	*5250	3210	*4690	2810					*4420	2670	@17.12		
-7.5m	*12240	*12240	*14640	11420	*11570	8290	*9480	6440	*7960	5220	*6830	4350	*5950	3710	*5230	3220							*4680	2900	@16.29		
-9.0m	*14320	*14320	*14140	11650	*11290	8420	*9310	6520	*7850	5270	*6740	4400	*5840	3760	*5050	3300							*4910	3230	@15.28		
-10.5m	*16810	*16810	*13340	11990	*10750	8640	*8920	6690	*7530	5410	*6430	4530	*5490	3900									*5160	3730	@14.04		
-12.0m	*15560	*15560	*12120	*12120	*9860	8980	*8200	6950	*6900	5650	*5780	4760											*5420	4550	@12.49		
-13.5m	*13030	*13030	*10320	*10320	*8440	*8440	*6980	*6980	*5690	*5690													*5690	*5690	@10.50		

unit : kg

- Notes :
1. Machine in "Fine Mode-F"(Power Boost) for lifting capacities.
  2. The above loads are in compliance with SAE J1097 and ISO 10567 Hydraulic Excavator lifting capacity Standards.
  3. Rated loads do not exceed 87% of hydraulic capacity or 75% of tipping load.
  4. Rated loads marked with an asterisk(\*) are limited by hydraulic capacity rather than tipping load..

## EC480DL with VLR48-68 (20.5m)

### ■ GP(General Purpose) Bucket



- Optimal profile being capable of maximum excavation efficiently.
- Eminent abrasive resistant capability ensured by adopting HARDOX400 in critical area.
- Ultimate bending and torsional stiffness imposed in upper beam
- Abrasive resistant material being used in mounting boss with ARM.
- Sided pin type teeth without losing of point.
- Corner digging effect aggrandized by aligning edge teeth with side cutting plate
- Abrasive resistant extra-plate in bottom and side region qualifying HD class performances.
- Welding typed single side cutter .

# EC480DL with VLR48-68 (20.5m)

## GP Bucket Breakdown

