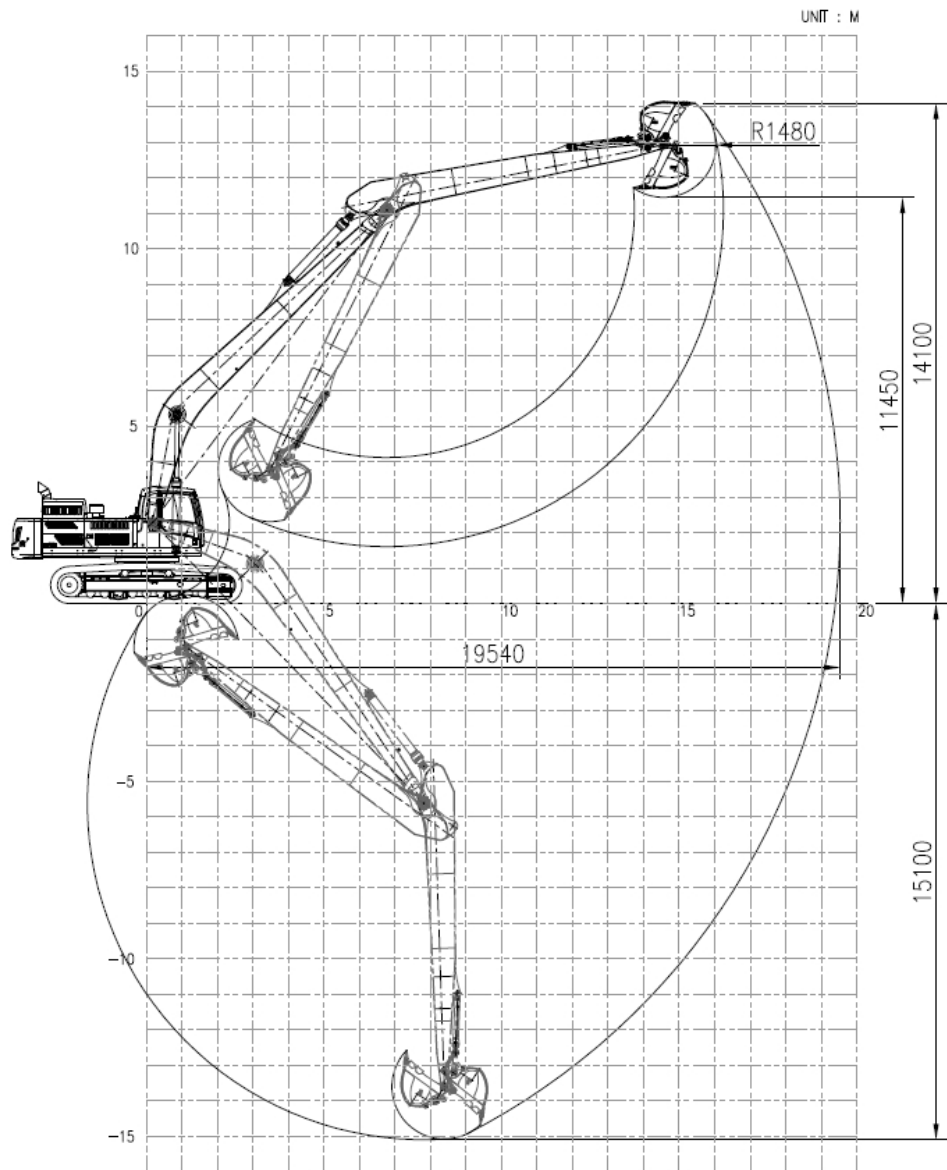
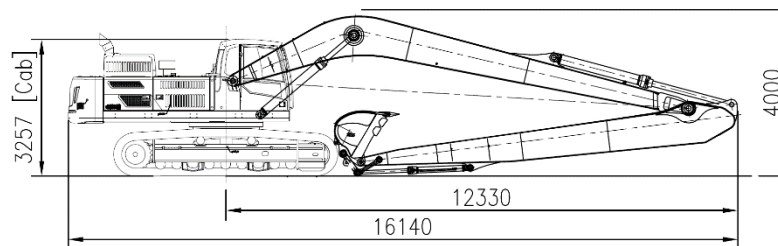


EC480DL with VLR48-65 (19.5m)

Working range



Dimension



Weight (without bucket)

| | | | |
|---------------------------|------------|----|--------|
| Base machine (shoe 600mm) | | kg | 28,928 |
| CWT | Factory CW | kg | 9,750 |
| | Additional | kg | 3,000 |
| Front (working equipment) | | kg | 8,010 |
| Total | | kg | 49,688 |

Component

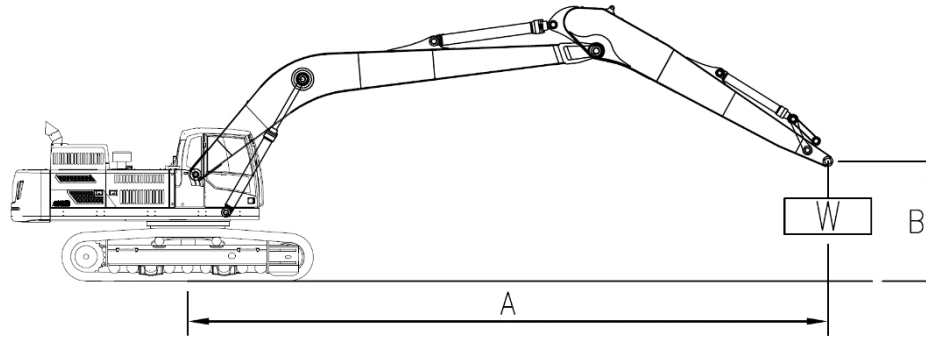
| | | | |
|-------------------------------------|-------------|--------------------|-------------------------------------|
| LR kit | Boom length | m | 11.0 |
| | Arm length | m | 8.0 |
| Cylinder | Boom | | EC480D |
| | Arm | | EC480D |
| | Bucket | | EC220D |
| Linkage (C/rod & Yoke) | | | EC220D |
| Breakout force-bucket (power boost) | | kN | 134.3 (SAEJ1179) |
| Tearout force-arm (power boost) | | kN | 117.9 (SAEJ1179) |
| Recommended Bucket | GP Bucket | m ³ /kg | 1.17 / 940 |
| | | | (Density : 1,800kg/m ³) |

EC480DL with VLR48-65 (19.5m)

Lifting capacity

At arm end without bucket.

- Implement pressure : 330 kgf/cm²
- Power Boost pressure : 360 kgf/cm²



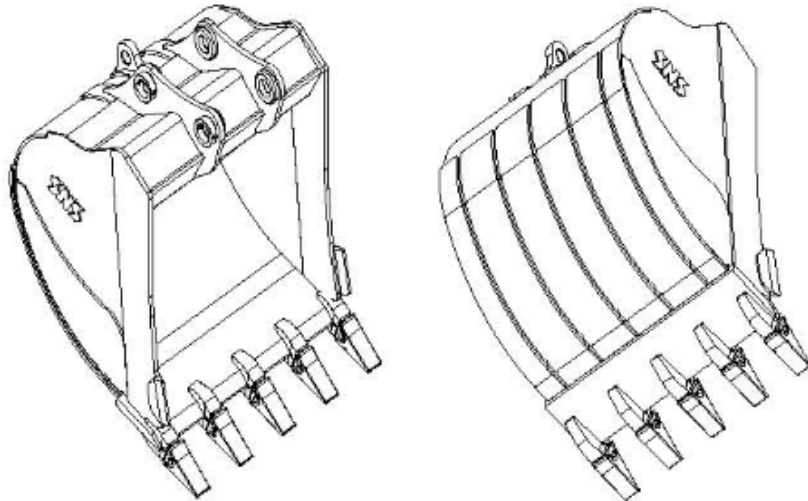
| A \ B | 4.5m | | 6.0m | | 7.5m | | 9.0m | | 10.5m | | 12.0m | | 13.5m | | 15.0m | | 16.5m | | 18.0m | | Max. REACH | | | |
|--------|----------|-----------|----------|-----------|----------|-----------|----------|-----------|----------|-----------|----------|-----------|----------|-----------|----------|-----------|----------|-----------|----------|-----------|------------|-----------|-------------|--------------|
| | Along UC | Across UC | Along UC | Across UC | Along UC | Across UC | Along UC | Across UC | Along UC | Across UC | Along UC | Across UC | Along UC | Across UC | Along UC | Across UC | Along UC | Across UC | Along UC | Across UC | Along UC | Across UC | M | |
| 12.0m | | | | | | | | | | | | | | | | *3340 | *3340 | | | | | | *3060 | *3060 @15.18 |
| 10.5m | | | | | | | | | | | | | | | | *3610 | *3610 | | | | | | *3000 | *3000 @16.05 |
| 9.0m | | | | | | | | | | | | | | | | *3670 | *3670 | *3420 | *3420 | | | | *2990 | *2990 @16.74 |
| 7.5m | | | | | | | | | | | | | | | | *3800 | *3800 | *3790 | 3770 | | | | *3000 | *3000 @17.28 |
| 6.0m | | | | | | | | | | | | | | | | | *3990 | *3990 | *3910 | 3690 | | | *3050 | *3050 @17.66 |
| 4.5m | | | | | | | | | | | *4750 | *4750 | *4440 | *4440 | *4220 | *4220 | *4070 | 3580 | | | | *3120 | 3020 @17.92 | |
| 3.0m | *12640 | *12640 | *10370 | *10370 | *8040 | *8040 | *6680 | *6680 | *5810 | *5810 | *5210 | *5210 | *4780 | *4780 | 4110 | *4250 | 3460 | *3340 | 2920 | | | *3230 | 2910 @18.04 | |
| 1.5m | *6820 | *6820 | *12380 | *12380 | *9330 | *9330 | *7560 | *7560 | *6440 | *6440 | *5670 | 5590 | *5130 | 4670 | *4730 | 3940 | *4440 | 3350 | *3490 | 2850 | | *3380 | 2830 @18.04 | |
| 0m | *6350 | *6350 | *12990 | *12990 | *10420 | 9850 | *8360 | 7810 | *7030 | 6370 | *6120 | 5300 | *5470 | 4460 | *4990 | 3790 | *4630 | 3240 | | | | *3570 | 2810 @17.92 | |
| -1.5m | *7140 | *7140 | *12110 | *12110 | *11250 | 9320 | *9020 | 7400 | *7540 | 6060 | *6520 | 5060 | *5770 | 4280 | *5220 | 3660 | *4800 | 3150 | | | | *3810 | 2820 @17.66 | |
| -3.0m | *8430 | *8430 | *12680 | 12090 | *11810 | 8990 | *9510 | 7110 | *7950 | 5820 | *6840 | 4870 | *6030 | 4140 | *5420 | 3560 | *4930 | 3090 | | | | *4140 | 2880 @17.27 | |
| -4.5m | *10020 | *10020 | *14010 | 11980 | *12130 | 8830 | *9830 | 6940 | *8230 | 5670 | *7080 | 4750 | *6220 | 4050 | *5550 | 3500 | *4990 | 3060 | | | | *4570 | 3000 @16.73 | |
| -6.0m | *11870 | *11870 | *15520 | 12020 | *12210 | 8790 | *9980 | 6880 | *8380 | 5610 | *7210 | 4690 | *6310 | 4010 | *5580 | 3480 | | | | | | *5130 | 3200 @16.04 | |
| -7.5m | *14010 | *14010 | *15170 | 12170 | *12070 | 8850 | *9930 | 6900 | *8370 | 5610 | *7190 | 4700 | *6260 | 4030 | *5460 | 3530 | | | | | | *5370 | 3490 @15.16 | |
| -9.0m | *16540 | *16540 | *14510 | 12430 | *11660 | 9010 | *9650 | 7010 | *8160 | 5700 | *6990 | 4780 | *6000 | 4130 | | | | | | | | *5640 | 3930 @14.07 | |
| -10.5m | *17350 | *17350 | *13460 | 12800 | *10920 | 9270 | *9080 | 7210 | *7660 | 5870 | *6470 | 4960 | | | | | | | | | | *5930 | 4640 @12.71 | |
| -12.0m | *15090 | *15090 | *11890 | *11890 | *9710 | 9660 | *8050 | 7530 | *6660 | 6180 | | | | | | | | | | | | *6240 | 5860 @10.97 | |
| -13.5m | | | | | *7690 | *7690 | | | | | | | | | | | | | | | | *6510 | *6510 @8.64 | |

unit : kg

- Notes :
1. Machine in "Fine Mode-F"(Power Boost) for lifting capacities.
 2. The above loads are in compliance with SAE J1097 and ISO 10567 Hydraulic Excavator lifting capacity Standards.
 3. Rated loads do not exceed 87% of hydraulic capacity or 75% of tipping load.
 4. Rated loads marked with an asterisk(*) are limited by hydraulic capacity rather than tipping load..

EC480DL with VLR48-65 (19.5m)

■ GP(General Purpose) Bucket



- Optimal profile being capable of maximum excavation efficiently.
- Eminent abrasive resistant capability ensured by adopting HARDOX400 in critical area.
- Ultimate bending and torsional stiffness imposed in upper beam
- Abrasive resistant material being used in mounting boss with ARM.
- Sided pin type teeth without losing of point.
- Corner digging effect aggrandized by aligning edge teeth with side cutting plate
- Abrasive resistant extra-plate in bottom and side region qualifying HD class performances.
- Welding typed single side cutter .

EC480DL with VLR48-65 (19.5m)

GP Bucket Breakdown

