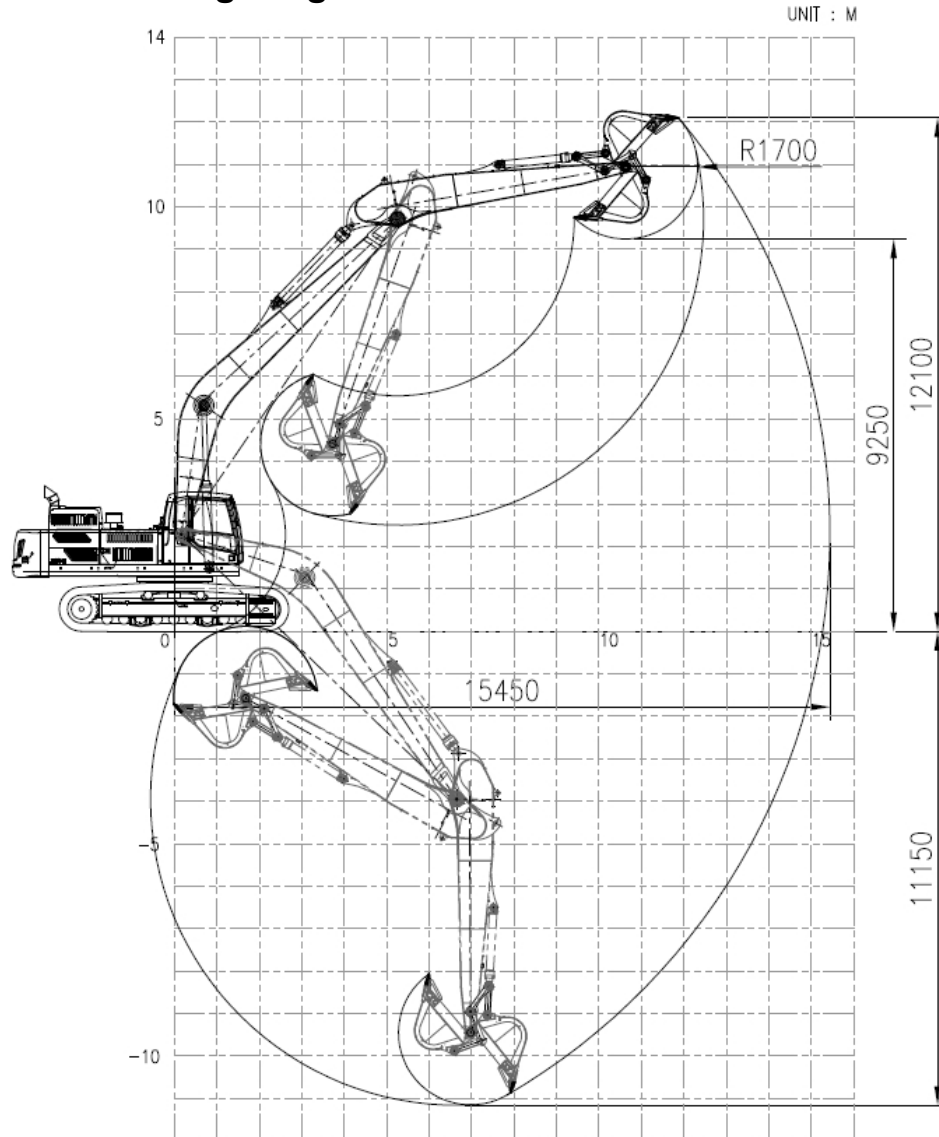
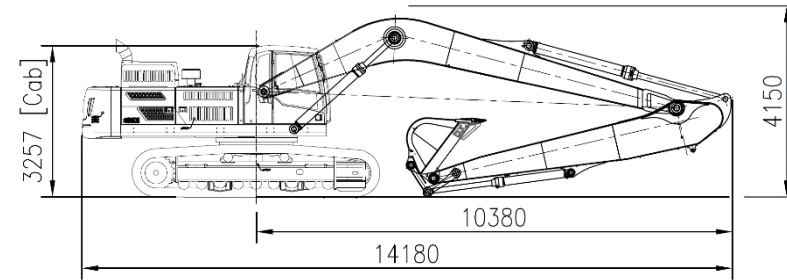


# EC480DL with VLR48-51 (15.5m)

## Working range



## Dimension



## Weight (without bucket)

Base machine (shoe 600mm)		kg	28,928
CWT	Factory CW	kg	9,750
	Additional	kg	3,000
Front (working equipment)		kg	7,710
Total		kg	49,388

## Component

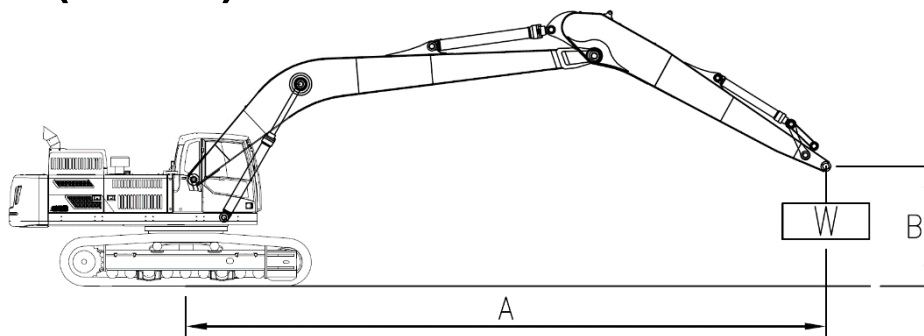
LR kit	Boom length	m	9.0
	Arm length	m	5.5
Cylinder	Boom		EC480D
	Arm		EC480D
	Bucket		EC380D
Linkage (C/rod & Yoke)			EC380D
Breakout force-bucket (power boost)		kN	200.6 (SAEJ1179)
Tearout force-arm (power boost)		kN	149.1 (SAEJ1179)
Recommended Bucket	GP Bucket	m <sup>3</sup> /kg	1.87 / 1,600 (Density : 1,800kg/m <sup>3</sup> )

# EC480DL with VLR48-51 (15.5m)

## Lifting capacity

At arm end without bucket.

- Implement pressure : 330 kgf/cm<sup>2</sup>
- Power Boost pressure : 360 kgf/cm<sup>2</sup>



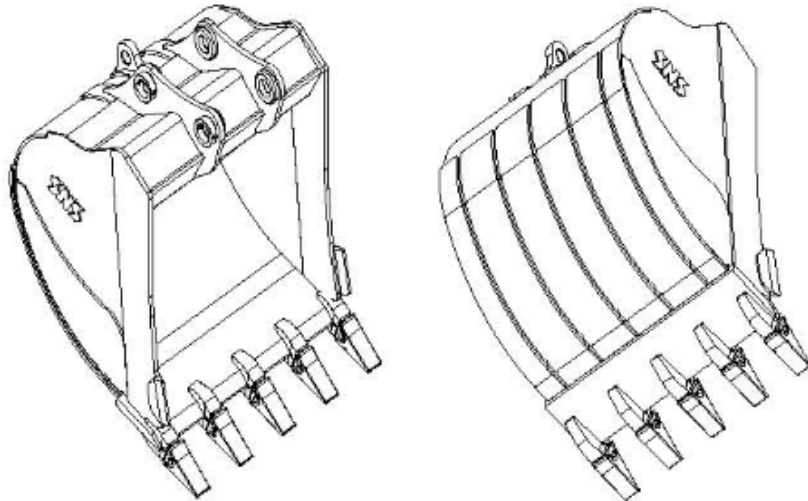
A \ B	1.5m		3.0m		4.5m		6.0m		7.5m		9.0m		10.5m		12.0m		13.5m		Max. REACH					
	Along UC	Across UC	Along UC	Across UC	Along UC	Across UC	Along UC	Across UC	Along UC	Across UC	Along UC	Across UC	Along UC	Across UC	Along UC	Across UC	Along UC	Across UC	Along UC	Across UC	M			
10.5m																					*5080	*5080	@10.95	
9.0m																						*4960	*4960	@11.95
7.5m													*5540	*5540	*5530	*5530						*4950	*4950	@12.69
6.0m													*5970	*5970	*5770	*5770						*5020	*5020	@13.22
4.5m									*8190	*8190	*7170	*7170	*6520	*6520	*6120	5980	*5430	4870				*5190	4840	@13.55
3.0m					*15910	*15910	*12390	*12390	*9640	*9640	*8100	*8100	*7150	7110	*6540	5790	*6170	4760				*5440	4630	@13.72
1.5m					*10140	*10140	*14500	*14500	*11010	10880	*9020	8490	*7780	6830	*6970	5600	*6440	4650				*5800	4530	@13.72
0m					*10710	*10710	*15970	13980	*12110	10390	*9810	8140	*8350	6590	*7370	5440	*6620	4560				*6310	4530	@13.55
-1.5m			*8320	*8320	*13030	*13030	*16780	13650	*12860	10080	*10420	7900	*8800	6410	*7680	5320						*6990	4650	@13.21
-3.0m	*10080	*10080	*11670	*11670	*16220	*16220	*17060	13540	*13270	9940	*10780	7770	*9080	6310	*7840	5270						*7360	4900	@12.68
-4.5m	*13090	*13090	*15220	*15220	*20190	*20190	*16880	13590	*13300	9920	*10860	7740	*9110	6300								*7790	5330	@11.94
-6.0m			*19240	*19240	*21240	*21240	*16210	13780	*12910	10030	*10570	7820	*8770	6390								*8290	6080	@10.94
-7.5m			*24090	*24090	*19240	*19240	*14900	14110	*11940	10270	*9680	8040										*8870	7410	@9.60
-9.0m					*16060	*16060	*12570	*12570	*9910	*9910												*9510	*9510	@7.74

unit : kg

- Notes :
1. Machine in "Fine Mode-F"(Power Boost) for lifting capacities.
  2. The above loads are in compliance with SAE J1097 and ISO 10567 Hydraulic Excavator lifting capacity Standards.
  3. Rated loads do not exceed 87% of hydraulic capacity or 75% of tipping load.
  4. Rated loads marked with an asterisk(\*) are limited by hydraulic capacity rather than tipping load..

## EC480DL with VLR48-51 (15.5m)

### ■ GP(General Purpose) Bucket



- Optimal profile being capable of maximum excavation efficiently.
- Eminent abrasive resistant capability ensured by adopting HARDOX400 in critical area.
- Ultimate bending and torsional stiffness imposed in upper beam
- Abrasive resistant material being used in mounting boss with ARM.
- Sided pin type teeth without losing of point.
- Corner digging effect aggrandized by aligning edge teeth with side cutting plate
- Abrasive resistant extra-plate in bottom and side region qualifying HD class performances.
- Welding typed single side cutter .

# EC480DL with VLR48-51 (15.5m)

## GP Bucket Breakdown

