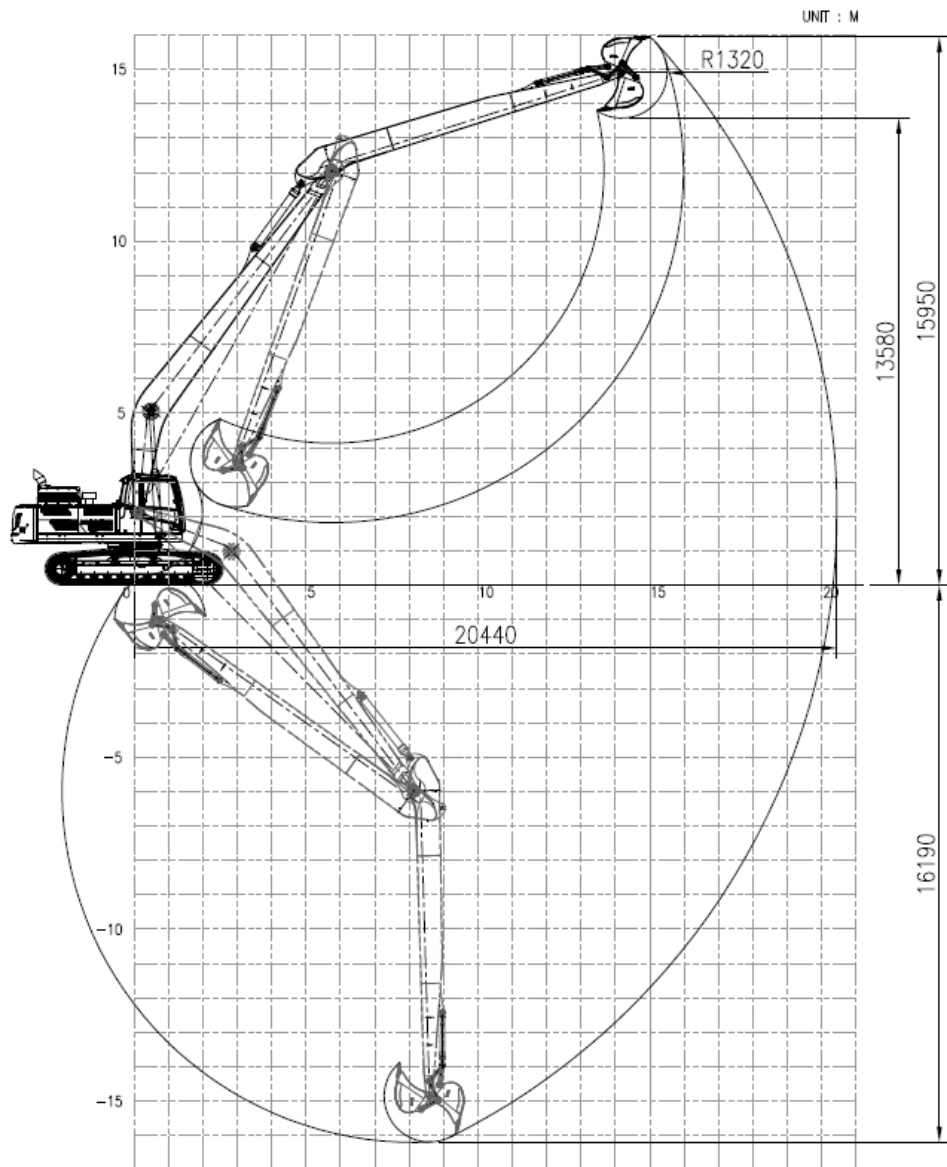
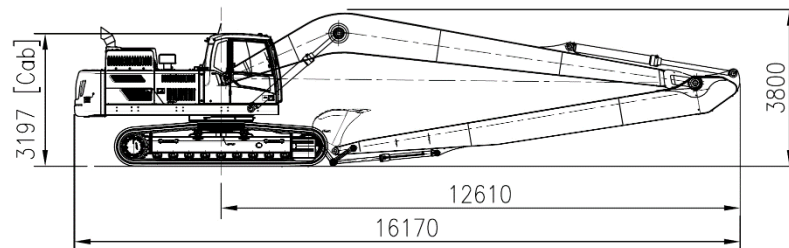


EC380DL with VLR38-68 (20.4m)

Working range



Dimension



Weight (without bucket)

Base machine (shoe 600mm)		kg	23,568
CWT	Factory CW	kg	7,550
	Additional	kg	2,500
Front (working equipment)		kg	7,190
Total		kg	40,808

Component

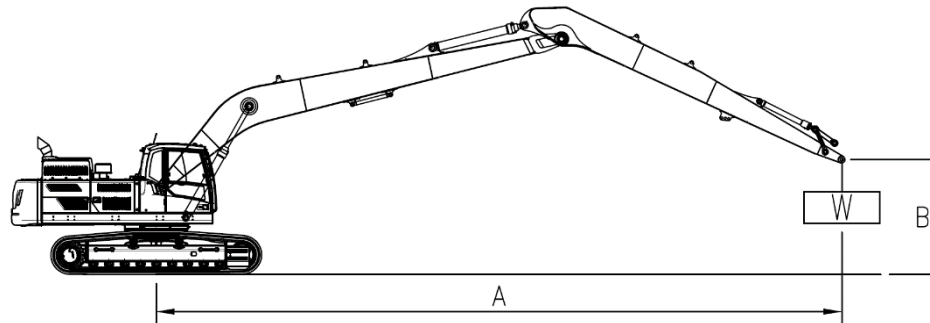
LR kit	Boom length	m	11.4
	Arm length	m	8.9
Cylinder	Boom		EC380D
	Arm		EC380D
	Bucket		EC160E
Linkage (C/rod & Yoke)			EC160E
Breakout force-bucket (power boost)		kN	102.2 (SAEJ1179)
Tearout force-arm (power boost)		kN	77.4 (SAEJ1179)
Recommended Bucket	GP Bucket	m ³ /kg	0.66 / 660 (Density : 1,800kg/m ³)

EC380DL with VLR38-68 (20.4m)

Lifting capacity

At arm end without bucket.

- Implement pressure : 330 kgf/cm²
- Power Boost pressure : 360 kgf/cm²



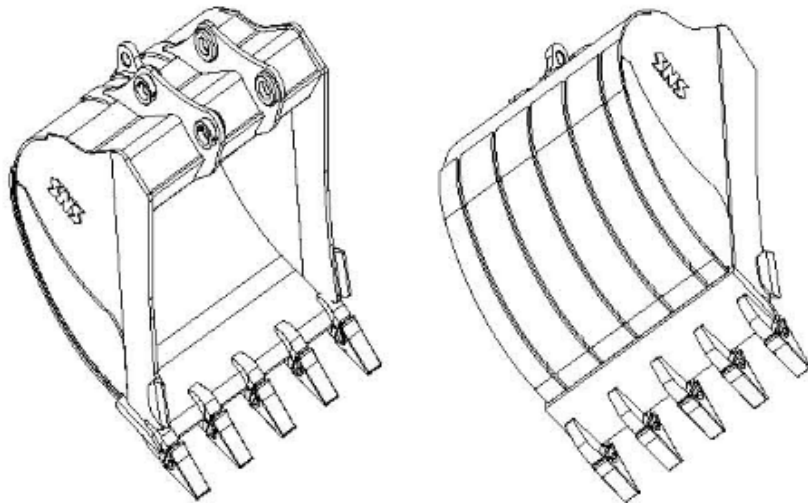
B	4.5m		6.0m		7.5m		9.0m		10.5m		12.0m		13.5m		15.0m		16.5m		18.0m		Max. REACH			
	Along UC	Across UC	Along UC	Across UC	Along UC	Across UC	Along UC	Across UC	Along UC	Across UC	Along UC	Across UC	Along UC	Across UC	Along UC	Across UC	Along UC	Across UC	Along UC	Across UC	Along UC	Across UC	M	
13.5m																*2160	*2160					*1790	*1790	@15.34
12.0m																*2810	*2810					*1740	*1740	@16.35
10.5m																*2830	*2830	*2470	*2470			*1710	*1710	@17.18
9.0m																*2910	*2910	*2910	2800			*1710	*1710	@17.83
7.5m														*3110	*3110	*3040	*3040	*2990	2730	*2190	*2190	*1720	*1720	@18.34
6.0m														*3340	*3340	*3200	*3200	*3100	2630	*2710	2130	*1750	*1750	@18.72
4.5m										*4210	*4210	*3860	*3860	*3600	*3600	*3400	3070	*3240	2520	*3110	2060	*1800	*1800	@18.97
3.0m	*11620	*11620	*8230	*8230	*6490	*6490	*5430	*5430	*4730	*4730	*4240	*4240	*3880	3530	*3610	2900	*3400	2400	*3250	1980	*1860	1710	@19.10	
1.5m	*7410	*7410	*9920	*9920	*7560	*7560	*6160	6130	*5250	4910	*4620	4000	*4170	3300	*3830	2740	*3570	2280	3260	1890	*1950	1650	@19.11	
0m	*5780	*5780	*11240	9350	*8480	7080	*6820	5590	*5740	4520	*4990	3720	*4450	3090	*4040	2580	3680	2160	3170	1810	*2070	1610	@19.00	
-1.5m	*5840	*5840	*9880	8620	*9200	6510	*7380	5160	*6170	4200	*5320	3470	*4700	2900	4150	2440	3580	2060	3100	1740	*2210	1600	@18.77	
-3.0m	*6450	*6450	*9700	8220	*9700	6130	*7800	4840	*6510	3950	5560	3270	4700	2750	4030	2330	3490	1980	3050	1690	*2400	1630	@18.41	
-4.5m	*7330	*7330	*10230	8030	*9990	5920	8060	4640	6510	3770	5410	3130	4590	2640	3950	2240	3440	1920			*2640	1680	@17.92	
-6.0m	*8380	*8380	*11180	8000	*10090	5830	7940	4540	6400	3670	5320	3050	4520	2570	3900	2200	3410	1900			*2970	1780	@17.29	
-7.5m	*9610	*9610	*12460	8080	*10010	5830	7910	4510	6370	3640	5290	3020	4500	2550	3900	2200					*3420	1930	@16.49	
-9.0m	*11010	*11010	*12150	8250	*9740	5930	7970	4570	6400	3670	5320	3050	4530	2590	3950	2250						3790	2160	@15.51
-10.5m	*12650	*12650	*11420	8510	*9240	6100	*7680	4690	*6500	3770	5420	3140	4640	2690								4320	2500	@14.31
-12.0m	*13200	*13200	*10350	8880	*8450	6370	*7050	4900	*5950	3950	*5010	3310										*4520	3060	@12.81
-13.5m	*11050	*11050	*8810	*8810	*7240	6740	*6020	5210	*4970	4240												*4690	4050	@10.91

unit : kg

- Notes :
1. Machine in "Fine Mode-F"(Power Boost) for lifting capacities.
 2. The above loads are in compliance with SAE J1097 and ISO 10567 Hydraulic Excavator lifting capacity Standards.
 3. Rated loads do not exceed 87% of hydraulic capacity or 75% of tipping load.
 4. Rated loads marked with an asterisk(*) are limited by hydraulic capacity rather than tipping load..

EC380DL with VLR38-68 (20.4m)

■ GP(General Purpose) Bucket



- Optimal profile being capable of maximum excavation efficiently.
- Eminent abrasive resistant capability ensured by adopting HARDOX400 in critical area.
- Ultimate bending and torsional stiffness imposed in upper beam
- Abrasive resistant material being used in mounting boss with ARM.
- Sided pin type teeth without losing of point.
- Corner digging effect aggrandized by aligning edge teeth with side cutting plate
- Abrasive resistant extra-plate in bottom and side region qualifying HD class performances.
- Welding typed single side cutter .

EC380DL with VLR38-68 (20.4m)

GP Bucket Breakdown

