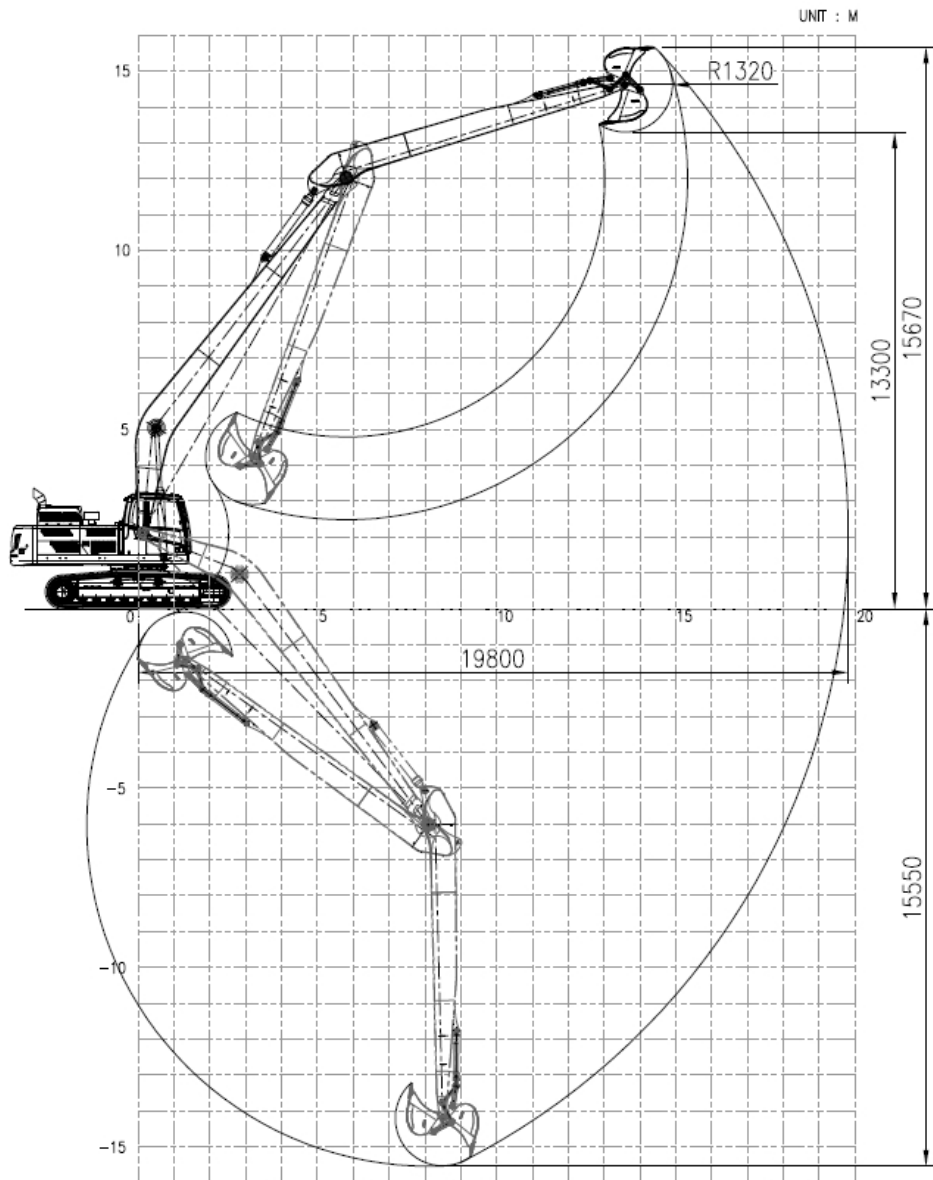
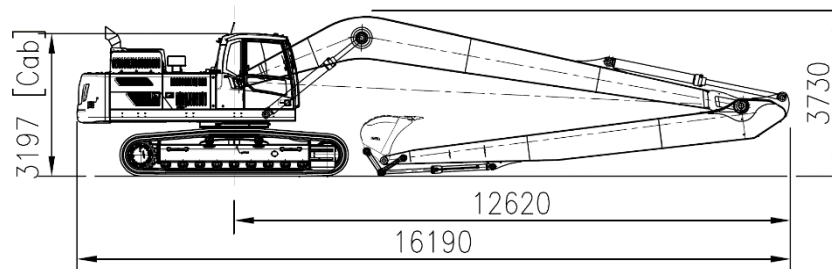


EC380DL with VLR38-65 (19.8m)

Working range



Dimension



Weight (without bucket)

Base machine (shoe 600mm)		kg	23,568
CWT	Factory CW	kg	7,550
	Additional	kg	2,500
Front (working equipment)		kg	7,090
Total		kg	40,708

Component

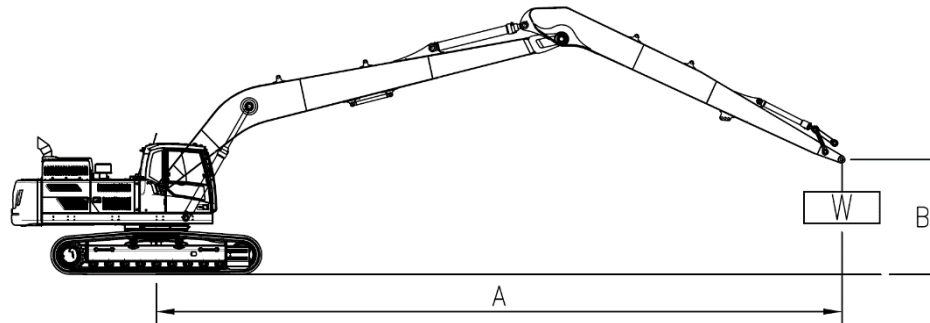
LR kit	Boom length	m	11.4
	Arm length	m	8.2
Cylinder	Boom		EC380D
	Arm		EC380D
	Bucket		EC160E
Linkage (C/rod & Yoke)			EC160E
Breakout force-bucket (power boost)		kN	112.2 (SAEJ1179)
Tearout force-arm (power boost)		kN	86.8 (SAEJ1179)
Recommended Bucket	GP Bucket	m ³ /kg	0.73 / 690 (Density : 1,800kg/m ³)

EC380DL with VLR38-65 (19.8m)

Lifting capacity

At arm end without bucket.

- Implement pressure : 330 kgf/cm²
- Power Boost pressure : 360 kgf/cm²



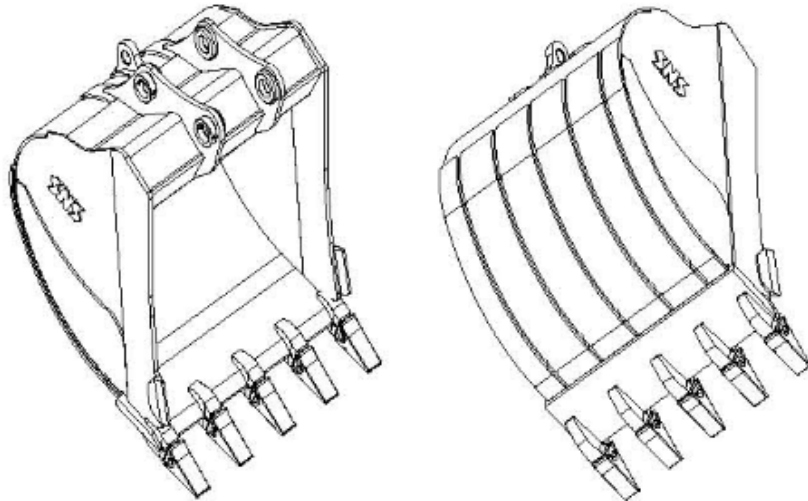
A \ B	4.5m		6.0m		7.5m		9.0m		10.5m		12.0m		13.5m		15.0m		16.5m		18.0m		Max. REACH					
	Along UC	Across UC	Along UC	Across UC	Along UC	Across UC	Along UC	Across UC	Along UC	Across UC	Along UC	Across UC	Along UC	Across UC	Along UC	Across UC	Along UC	Across UC	Along UC	Across UC	Along UC	Across UC	M			
13.5m																							*2030	*2030	@14.54	
12.0m																*2700	*2700							*1970	*1970	@15.61
10.5m																*3070	*3070							*1940	*1940	@16.47
9.0m														*3180	*3180	*3140	*3140	*2820	2710					*1940	*1940	@17.15
7.5m														*3360	*3360	*3260	*3260	*3200	2650					*1950	*1950	@17.68
6.0m											*3790	*3790	*3580	*3580	*3420	3150	*3300	2570	*2120	2080			*1990	*1990	@18.07	
4.5m							*5140	*5140	*4560	*4560	*4140	*4140	*3840	3670	*3610	3010	*3440	2470	*2640	2020			*2050	1930	@18.33	
3.0m	*9780	*9780	*9180	*9180	*7100	*7100	*5870	*5870	*5070	*5070	*4520	4210	*4110	3460	*3810	2850	*3590	2360	*2990	1950			*2130	1830	@18.46	
1.5m	*5360	*5360	*10780	10010	*8130	7570	*6580	5950	*5580	4800	*4890	3920	*4390	3250	*4020	2700	*3740	2250	*3180	1880			*2230	1770	@18.47	
0m	*4960	*4960	*9830	9060	*8990	6890	*7210	5470	*6050	4440	*5240	3670	*4660	3050	*4220	2560	3670	2150	*3160	1810			*2370	1740	@18.36	
-1.5m	*5500	*5500	*9110	8520	*9620	6420	*7710	5100	*6440	4160	*5550	3450	4850	2890	4150	2440	3580	2070	*2850	1760			*2550	1740	@18.12	
-3.0m	*6410	*6410	*9440	8260	*10020	6140	*8080	4840	6690	3950	5560	3280	4710	2760	4050	2350	3520	2000					*2770	1770	@17.75	
-4.5m	*7500	*7500	*10300	8170	*10210	5990	8100	4690	6540	3810	5440	3170	4620	2680	3980	2280	3480	1970					*3070	1840	@17.24	
-6.0m	*8750	*8750	*11530	8210	*10220	5950	8030	4630	6470	3740	5380	3110	4580	2630	3960	2260	3480	1970					3460	1960	@16.58	
-7.5m	*10170	*10170	*12550	8330	*10040	6010	8040	4640	6470	3740	5380	3110	4580	2640	3980	2280							3740	2140	@15.75	
-9.0m	*11790	*11790	*11940	8550	*9650	6140	*8020	4720	6530	3800	5440	3160	4650	2700									4170	2420	@14.72	
-10.5m	*13680	*13680	*11050	8850	*9020	6340	*7540	4880	*6380	3930	*5430	3290											*4600	2850	@13.45	
-12.0m	*12300	*12300	*9790	9260	*8060	6650	*6740	5130	*5660	4150													*4770	3570	@11.84	
-13.5m			*7960	*7960	*6580	*6580	*5420	*5420																*4870	*4870	@9.75

unit : kg

- Notes :
1. Machine in "Fine Mode-F"(Power Boost) for lifting capacities.
 2. The above loads are in compliance with SAE J1097 and ISO 10567 Hydraulic Excavator lifting capacity Standards.
 3. Rated loads do not exceed 87% of hydraulic capacity or 75% of tipping load.
 4. Rated loads marked with an asterisk(*) are limited by hydraulic capacity rather than tipping load..

EC380DL with VLR38-65 (19.8m)

■ GP(General Purpose) Bucket



- Optimal profile being capable of maximum excavation efficiently.
- Eminent abrasive resistant capability ensured by adopting HARDOX400 in critical area.
- Ultimate bending and torsional stiffness imposed in upper beam
- Abrasive resistant material being used in mounting boss with ARM.
- Sided pin type teeth without losing of point.
- Corner digging effect aggrandized by aligning edge teeth with side cutting plate
- Abrasive resistant extra-plate in bottom and side region qualifying HD class performances.
- Welding typed single side cutter .

EC380DL with VLR38-65 (19.8m)

GP Bucket Breakdown

