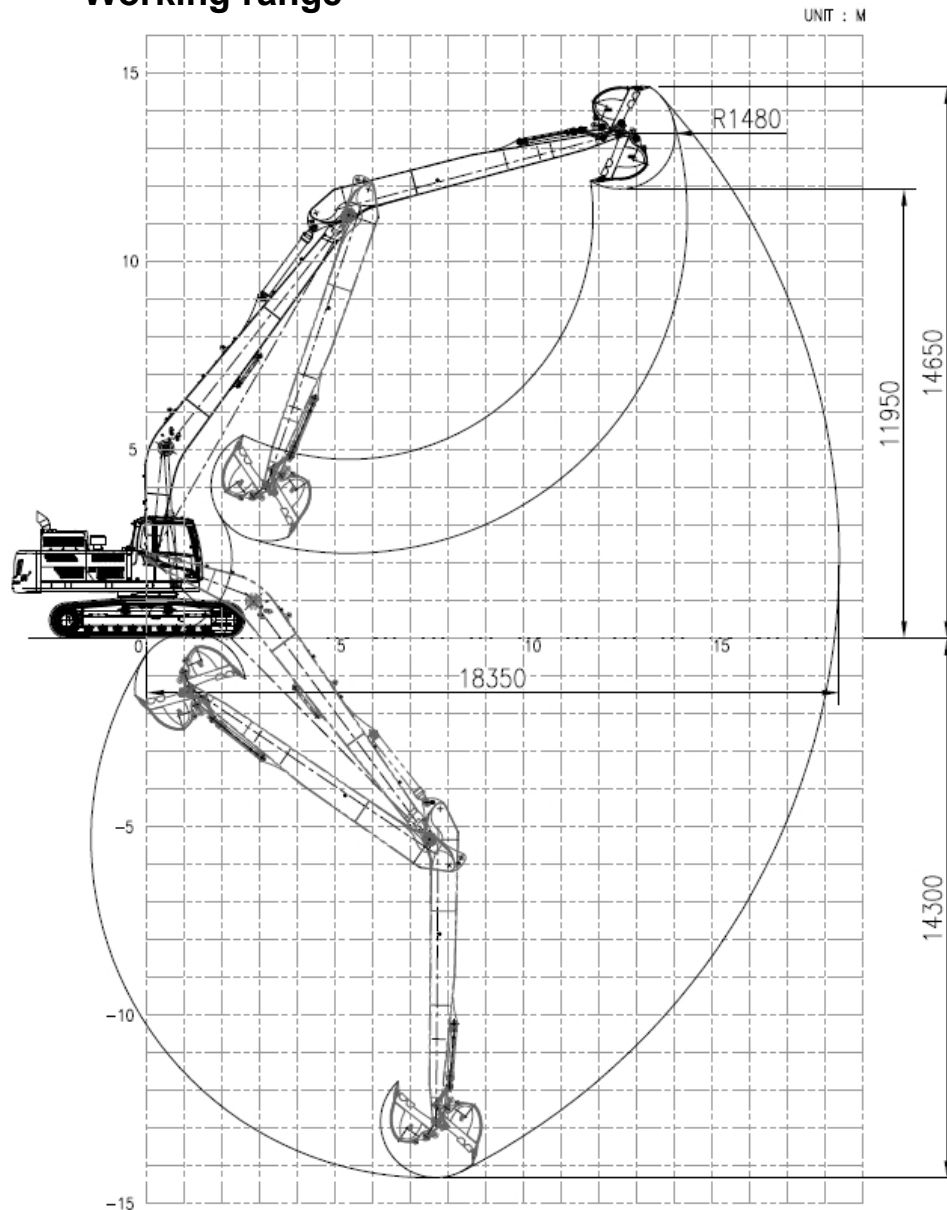
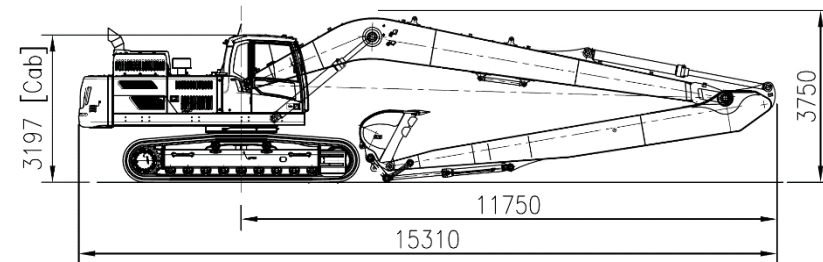


EC380DL with VLR38-60 (18.4m)

Working range



Dimension



Weight (without bucket)

Base machine (shoe 600mm)		kg	23,568
CWT	Factory CW	kg	7,550
	Additional	kg	2,500
Front (working equipment)		kg	6,900
Total		kg	40,518

Component

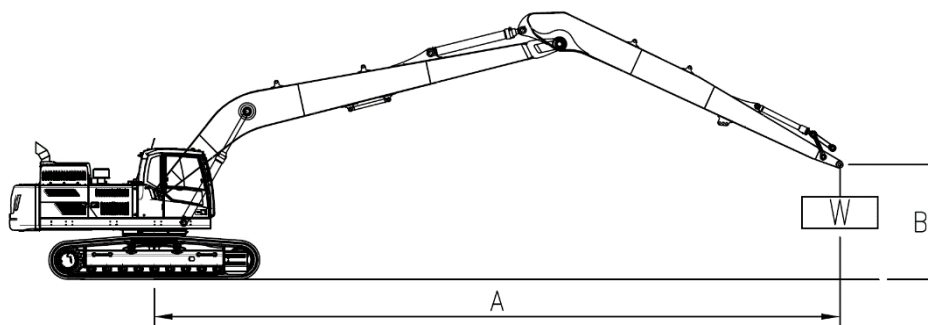
LR kit	Boom length	m	10.5
	Arm length	m	7.5
Cylinder	Boom		EC380D
	Arm		EC380D
	Bucket		EC220D
Linkage (C/rod & Yoke)			EC220D
Breakout force-bucket (power boost)		kN	131.4 (SAEJ1179)
Tearout force-arm (power boost)		kN	89.0 (SAEJ1179)
Recommended Bucket	GP Bucket	m ³ /kg	0.92 / 820 (Density : 1,800kg/m ³)

EC380DL with VLR38-60 (18.4m)

Lifting capacity

At arm end without bucket.

- Implement pressure : 330 kgf/cm²
- Power Boost pressure : 360 kgf/cm²



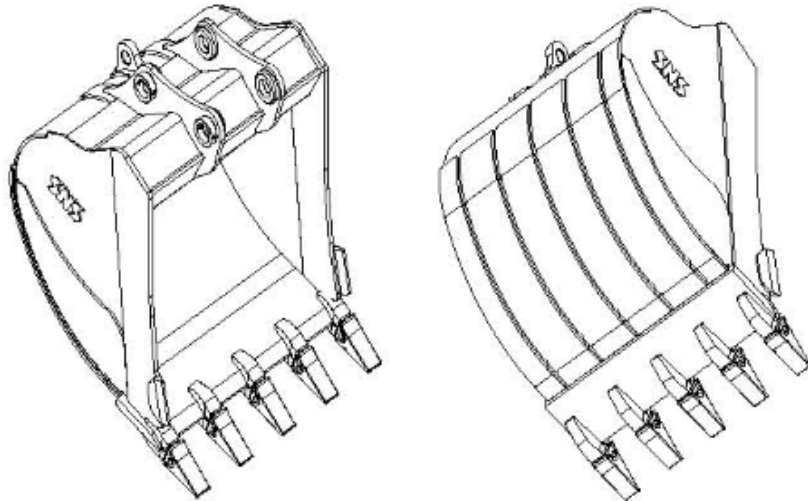
A \ B	3.0m		4.5m		6.0m		7.5m		9.0m		10.5m		12.0m		13.5m		15.0m		16.5m		Max. REACH				
	Along UC	Across UC	Along UC	Across UC	Along UC	Across UC	Along UC	Across UC	Along UC	Across UC	Along UC	Across UC	Along UC	Across UC	Along UC	Across UC	Along UC	Across UC	Along UC	Across UC	Along UC	Across UC	M		
12.0m															*2740	*2740							*2470	*2470	@13.68
10.5m															*3580	*3580							*2420	*2420	@14.66
9.0m															*3640	*3640	*3070	*3070					*2400	*2400	@15.42
7.5m														*3880	*3880	*3790	*3790	*3740	3260				*2420	*2420	@16.01
6.0m														*4180	*4180	*4000	3900	*3870	3170				*2460	*2460	@16.44
4.5m									*5480	*5480	*4930	*4930	*4530	*4530	*4250	3730	*4050	3060	*3000	2510		*2540	2430	@16.72	
3.0m			*13690	*13690	*9540	*9540	*7470	*7470	*6260	*6260	*5470	5350	*4920	4330	*4530	3560	*4240	2940	*3450	2430		*2640	2320	@16.87	
1.5m			*7410	*7410	*11290	10650	*8590	7970	*7020	6230	*6010	5000	*5310	4090	*4810	3380	*4450	2820	*3690	2350		*2790	2250	@16.88	
0m			*6530	*6530	*12580	9780	*9530	7360	*7690	5800	*6500	4700	*5680	3870	*5090	3220	4420	2710	*3650	2280		*2980	2220	@16.75	
-1.5m	*4670	*4670	*7080	*7080	*12090	9270	*10210	6940	*8230	5480	*6920	4450	5980	3690	5050	3090	4320	2610				*3230	2230	@16.49	
-3.0m	*6030	*6030	*8140	*8140	*12380	9020	*10640	6680	*8610	5250	7030	4270	5840	3550	4950	2990	4250	2550				*3560	2290	@16.09	
-4.5m	*7440	*7440	*9510	*9510	*13470	8950	*10820	6560	8560	5130	6910	4160	5750	3460	4880	2930	4220	2520				*4010	2400	@15.52	
-6.0m	*8960	*8960	*11120	*11120	*13580	9000	*10770	6540	8520	5090	6860	4120	5710	3430	4870	2920						4320	2590	@14.79	
-7.5m	*10610	*10610	*13010	*13010	*13070	9140	*10490	6610	8560	5130	6890	4150	5750	3460	4920	2970						4770	2880	@13.85	
-9.0m	*12450	*12450	*15260	14710	*12230	9380	*9910	6770	*8230	5240	*6940	4250	5860	3570								*5420	3340	@12.66	
-10.5m	*14550	*14550	*13910	*13910	*10970	9740	*8960	7030	*7440	5450	*6180	4440										*5670	4120	@11.15	
-12.0m			*11310	*11310	*9070	*9070	*7420	*7420	*6020	5800												*5890	5680	@9.15	

unit : kg

- Notes :
1. Machine in "Fine Mode-F"(Power Boost) for lifting capacities.
 2. The above loads are in compliance with SAE J1097 and ISO 10567 Hydraulic Excavator lifting capacity Standards.
 3. Rated loads do not exceed 87% of hydraulic capacity or 75% of tipping load.
 4. Rated loads marked with an asterisk(*) are limited by hydraulic capacity rather than tipping load..

EC380DL with VLR38-60 (18.4m)

■ GP(General Purpose) Bucket



- Optimal profile being capable of maximum excavation efficiently.
- Eminent abrasive resistant capability ensured by adopting HARDOX400 in critical area.
- Ultimate bending and torsional stiffness imposed in upper beam
- Abrasive resistant material being used in mounting boss with ARM.
- Sided pin type teeth without losing of point.
- Corner digging effect aggrandized by aligning edge teeth with side cutting plate
- Abrasive resistant extra-plate in bottom and side region qualifying HD class performances.
- Welding typed single side cutter .

EC380DL with VLR38-60 (18.4m)

GP Bucket Breakdown

