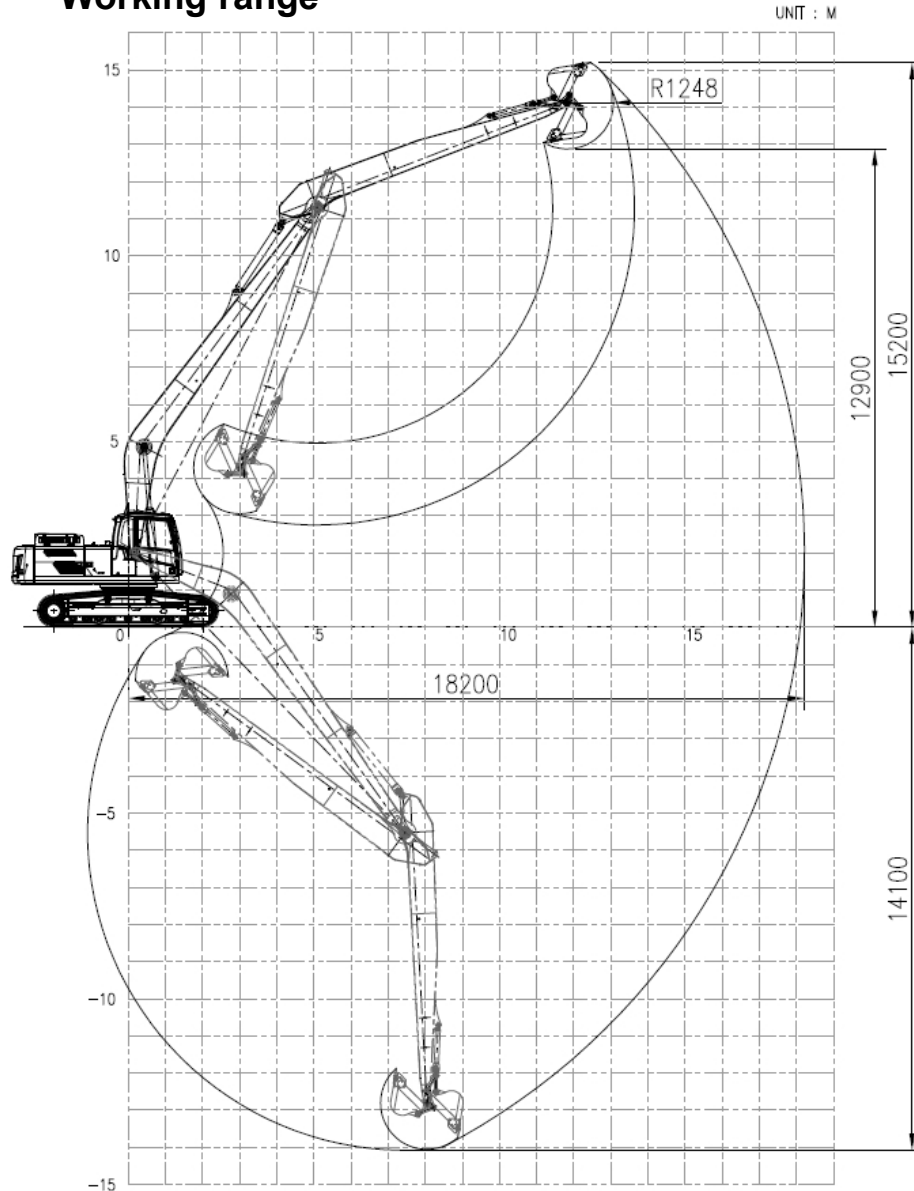
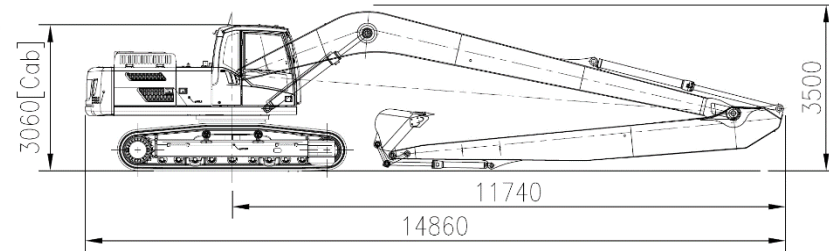


# EC300DL with VLR30-60 (18.2m)

## Working range



## Dimension



## Weight (without bucket)

Base machine (shoe 600mm)		kg	18,559
CWT	Factory CW	kg	5,500
	Additional	kg	2,500
Front (working equipment)		kg	5,650
Total		kg	32,209

## Component

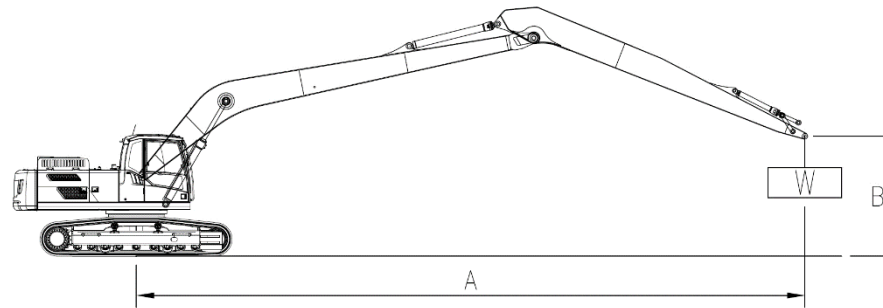
LR kit	Boom length	m	10.5
	Arm length	m	7.3
Cylinder	Boom		EC300D
	Arm		EC300D
	Bucket		EC140D
Linkage (C/rod & Yoke)			EC140D
Breakout force-bucket (power boost)		kN	96.5 (SAEJ1179)
Tearout force-arm (power boost)		kN	73.4 (SAEJ1179)
Recommended bucket	GP Bucket	m <sup>3</sup> /kg	0.56 / 515 (Density:1,800kg/m3)

# EC300DL with VLR30-60 (18.2m)

## Lifting capacity

At arm end without bucket.

- Implement pressure : 340 kgf/cm<sup>2</sup>
- Power Boost pressure : 370 kgf/cm<sup>2</sup>



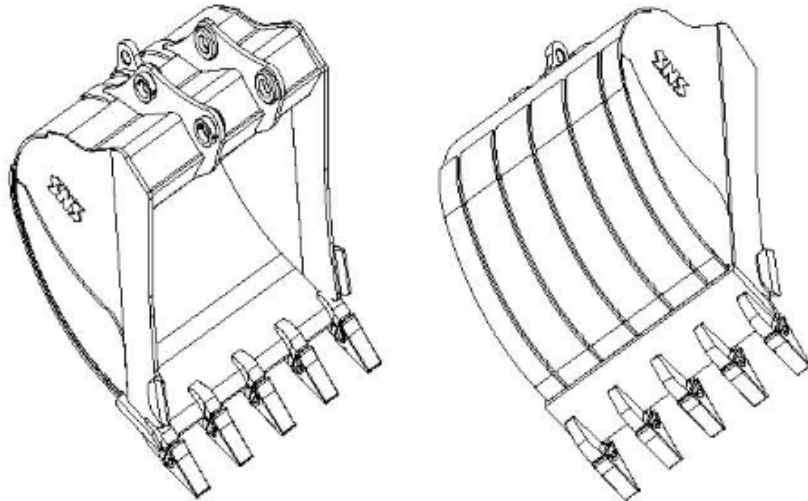
A \ B	3.0m		4.5m		6.0m		7.5m		9.0m		10.5m		12.0m		13.5m		15.0m		16.5m		Max. REACH						
	Along UC	Across UC	Along UC	Across UC	Along UC	Across UC	Along UC	Across UC	Along UC	Across UC	Along UC	Across UC	Along UC	Across UC	Along UC	Across UC	Along UC	Across UC	Along UC	Across UC	Along UC	Across UC	M				
13.5m																								*1910	*1910	@12.50	
12.0m																*2070	*2070								*1820	*1820	@13.73
10.5m																*2710	*2710								*1770	*1770	@14.71
9.0m															*2780	*2780	*2750	*2750	*2310	2210					*1750	*1750	@15.48
7.5m															*2940	*2940	*2850	2740	*2800	2170					*1760	*1760	@16.07
6.0m													*3350	*3350	*3150	*3150	*3000	2630	*2890	2110	*1790	1670		*1780	1670	@16.50	
4.5m										*4140	*4140	*3700	*3700	*3400	3090	*3170	2490	*3010	2020	*2270	1620		*1820	1550	@16.79		
3.0m			*8380	*8380	*7210	*7210	*5620	*5620	*4690	4530	*4090	3590	*3670	2890	*3370	2350	*3150	1920	*2580	1560		*1890	1470	@16.94			
1.5m			*4460	*4460	*8450	6930	*6410	5250	*5230	4120	*4460	3310	*3940	2690	*3570	2210	3090	1820	2620	1500		*1980	1420	@16.95			
0m			*4200	*4200	*8890	6240	*7060	4760	*5700	3770	*4810	3060	*4200	2510	3530	2080	3000	1730	2570	1450		*2100	1390	@16.83			
-1.5m	*3100	*3100	*4790	*4790	*8300	5860	*7530	4430	6010	3510	4870	2860	4050	2360	3410	1970	2920	1660	*2430	1400		*2260	1390	@16.58			
-3.0m	*4210	*4210	*5720	*5720	*8740	5670	7490	4230	5820	3340	4720	2720	3930	2250	3330	1890	2860	1610				*2470	1420	@16.17			
-4.5m	*5360	*5360	*6860	*6860	*9740	5620	7390	4130	5710	3240	4630	2630	3860	2190	3280	1850	2840	1580					2690	1500	@15.62		
-6.0m	*6590	*6590	*8190	*8190	*9880	5670	7380	4120	5680	3210	4590	2600	3830	2160	3270	1840							2890	1620	@14.89		
-7.5m	*7950	*7950	*9760	9050	*9470	5790	7440	4190	5720	3240	4620	2620	3860	2190	3320	1880							3190	1810	@13.96		
-9.0m	*9500	*9500	*11310	9380	*8820	5990	*7170	4320	5830	3340	4710	2710	3950	2280									3660	2120	@12.78		
-10.5m	*11320	*11320	*9910	9820	*7850	6280	*6430	4530	*5340	3510	*4430	2870											*3970	2640	@11.28		
-12.0m			*7940	*7940	*6400	*6400	*5240	4850	*4240	3810													*4030	3650	@9.31		

unit : kg

- Notes :
1. Machine in "Fine Mode-F"(Power Boost) for lifting capacities.
  2. The above loads are in compliance with SAE J1097 and ISO 10567 Hydraulic Excavator lifting capacity Standards.
  3. Rated loads do not exceed 87% of hydraulic capacity or 75% of tipping load.
  4. Rated loads marked with an asterisk(\*) are limited by hydraulic capacity rather than tipping load..

## EC300DL with VLR30-60 (18.2m)

### ■ GP(General Purpose) Bucket



- Optimal profile being capable of maximum excavation efficiently.
- Eminent abrasive resistant capability ensured by adopting HARDOX400 in critical area.
- Ultimate bending and torsional stiffness imposed in upper beam
- Abrasive resistant material being used in mounting boss with ARM.
- Sided pin type teeth without losing of point.
- Corner digging effect aggrandized by aligning edge teeth with side cutting plate
- Abrasive resistant extra-plate in bottom and side region qualifying HD class performances.
- Welding typed single side cutter .

# EC300DL with VLR30-60 (18.2m)

## GP Bucket Breakdown

