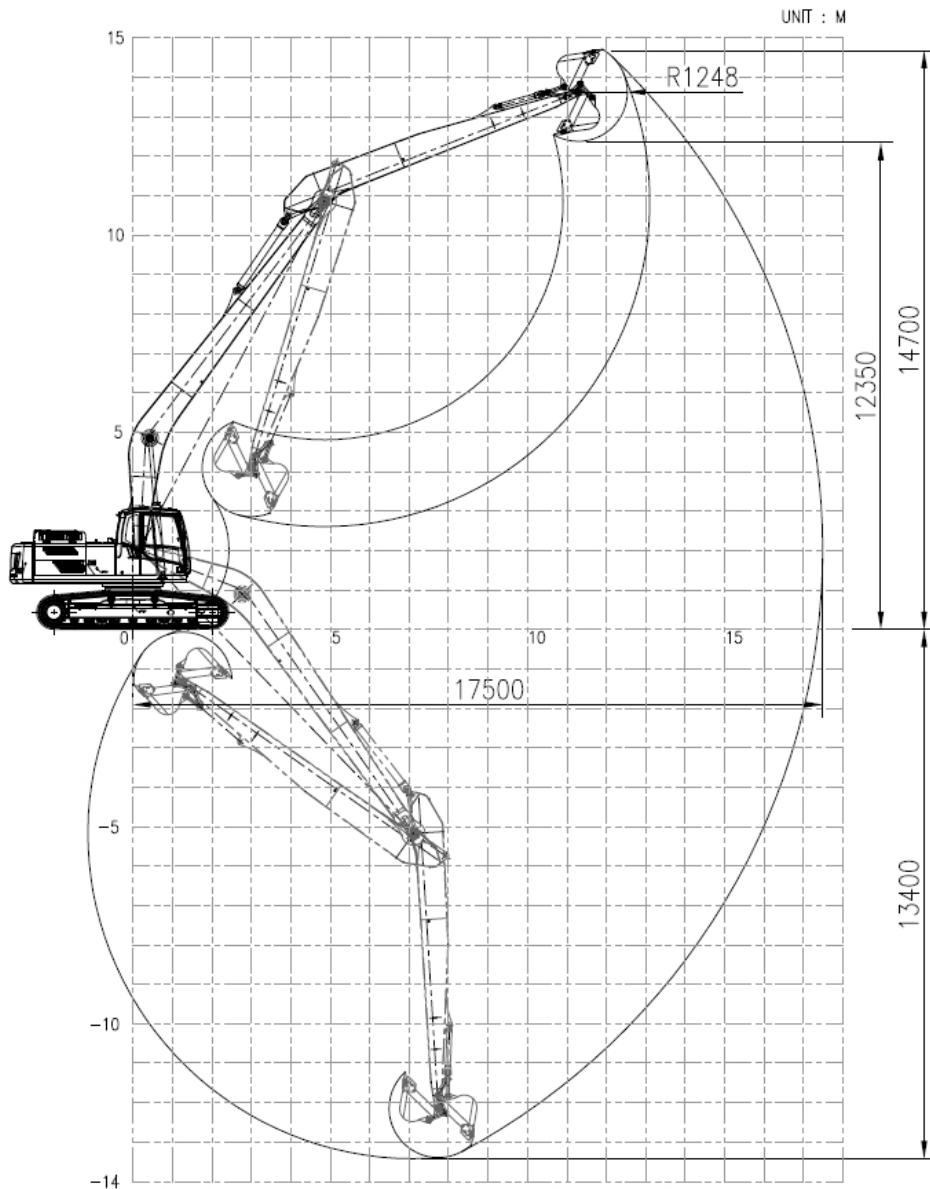
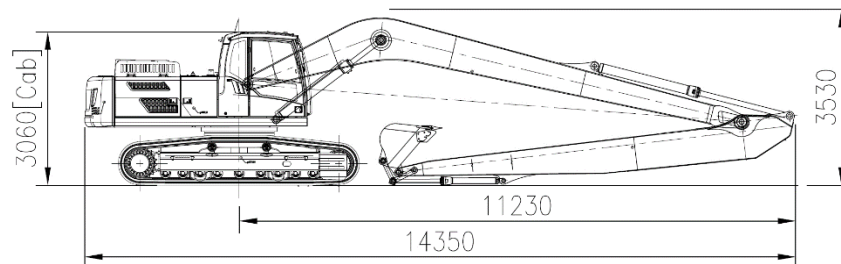


EC300DL with VLR30-57 (17.5m)

Working range



Dimension



Weight (without bucket)

Base machine (shoe 600mm)	kg	18,559
CWT	Factory CW	kg 5,500
	Additional	kg 2,500
Front (working equipment)	kg	5,465
Total	kg	32,024

Component

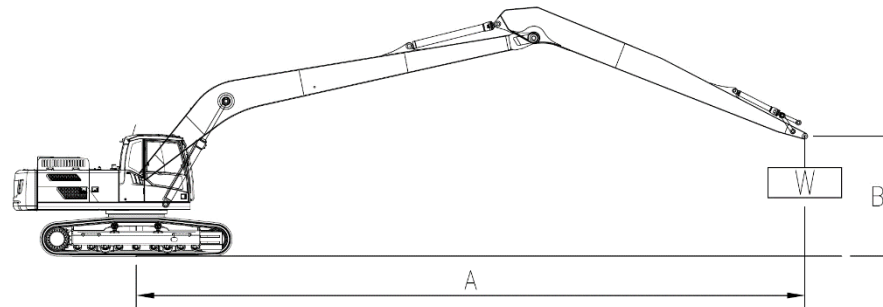
LR kit	Boom length	m	10.0
	Arm length	m	7.0
Cylinder	Boom		EC300D
	Arm		EC300D
	Bucket		EC140D
Linkage (C/rod & Yoke)			EC140D
Breakout force-bucket (power boost)		kN	96.5 (SAEJ1179)
Tearout force-arm (power boost)		kN	76.0 (SAEJ1179)
Recommended bucket	GP Bucket	m ³ /kg	0.61 / 550 (Density:1,800kg/m3)

EC300DL with VLR30-57 (17.5m)

Lifting capacity

At arm end without bucket.

- Implement pressure : 340 kgf/cm²
- Power Boost pressure : 370 kgf/cm²



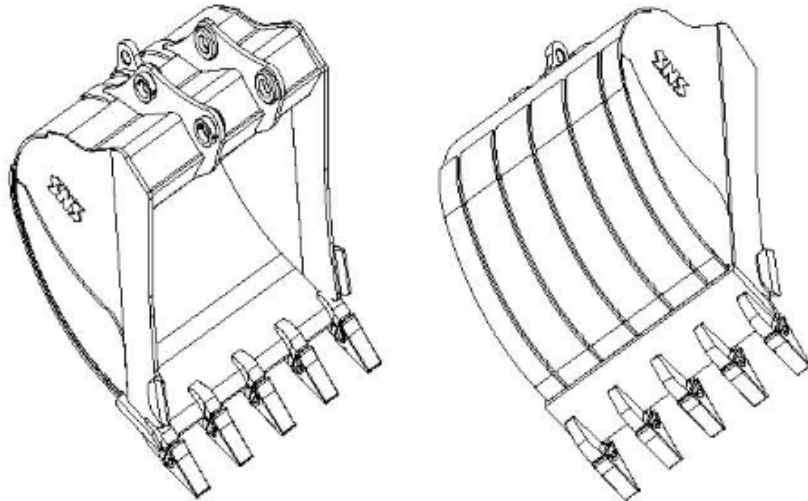
B \ A	3.0m		4.5m		6.0m		7.5m		9.0m		10.5m		12.0m		13.5m		15.0m		Max. REACH						
	Along UC	Across UC	Along UC	Across UC	Along UC	Across UC	Along UC	Across UC	Along UC	Across UC	Along UC	Across UC	Along UC	Across UC	Along UC	Across UC	Along UC	Across UC	Along UC	Across UC	M				
13.5m																					*1990	*1990	@11.48		
12.0m														*2670	*2670							*1880	*1880	@12.82	
10.5m														*2910	*2910	*2260	*2260					*1810	*1810	@13.86	
9.0m														*2980	*2980	*2980	2800					*1780	*1780	@14.68	
7.5m														*3120	*3120	*3070	2740	*2220	2170			*1780	*1780	@15.30	
6.0m												*3510	*3510	*3330	3310	*3200	2650	*2820	2130			*1800	*1800	@15.75	
4.5m												*4280	*4280	*3870	*3870	*3580	3150	*3380	2540	*3240	2060	*1840	1770	@16.05	
3.0m			*10450	*10450	*7310	*7310	*5760	*5760	*4850	4640	*4270	3680	*3860	2970	*3570	2420	3250	1980			*1910	1680	@16.21		
1.5m			*5680	*5680	*8630	7260	*6600	5460	*5420	4270	*4660	3420	*4150	2790	3740	2290	3160	1900			*2000	1630	@16.22		
0m	*2400	*2400	*5080	*5080	*9600	6610	*7300	5000	*5920	3950	*5030	3200	4320	2630	3630	2180	3080	1820			*2130	1600	@16.10		
-1.5m	*3600	*3600	*5630	*5630	*9960	6230	*7810	4690	6220	3710	5030	3020	4180	2500	3530	2090	3020	1760			*2300	1620	@15.83		
-3.0m	*4810	*4810	*6620	*6620	*10350	6050	7780	4500	6040	3550	4900	2890	4080	2400	3460	2030	2990	1730			*2520	1660	@15.41		
-4.5m	*6080	*6080	*7880	*7880	*10460	6010	7690	4420	5950	3470	4820	2820	4020	2350	3430	1990					*2840	1760	@14.82		
-6.0m	*7460	*7460	*9400	9380	*10230	6060	7690	4420	5930	3450	4800	2800	4010	2340	3440	2010						3280	1910	@14.05	
-7.5m	*9010	*9010	*11240	9630	*9760	6190	7780	4500	5980	3500	4840	2840	4060	2390								3660	2160	@13.06	
-9.0m	*10800	*10800	*11510	9980	*8990	6410	*7300	4650	*6050	3620	4960	2950										*4270	2570	@11.79	
-10.5m	*12970	*12970	*9840	*9840	*7800	6730	*6370	4890	*5220	3830												*4410	3300	@10.15	
-12.0m					*5920	*5920	*4720	*4720															*4420	*4420	@7.88

unit : kg

- Notes :
1. Machine in "Fine Mode-F"(Power Boost) for lifting capacities.
 2. The above loads are in compliance with SAE J1097 and ISO 10567 Hydraulic Excavator lifting capacity Standards.
 3. Rated loads do not exceed 87% of hydraulic capacity or 75% of tipping load.
 4. Rated loads marked with an asterisk(*) are limited by hydraulic capacity rather than tipping load..

EC300DL with VLR30-57 (17.5m)

■ GP(General Purpose) Bucket



- Optimal profile being capable of maximum excavation efficiently.
- Eminent abrasive resistant capability ensured by adopting HARDOX400 in critical area.
- Ultimate bending and torsional stiffness imposed in upper beam
- Abrasive resistant material being used in mounting boss with ARM.
- Sided pin type teeth without losing of point.
- Corner digging effect aggrandized by aligning edge teeth with side cutting plate
- Abrasive resistant extra-plate in bottom and side region qualifying HD class performances.
- Welding typed single side cutter .

EC300DL with VLR30-57 (17.5m)

GP Bucket Breakdown

