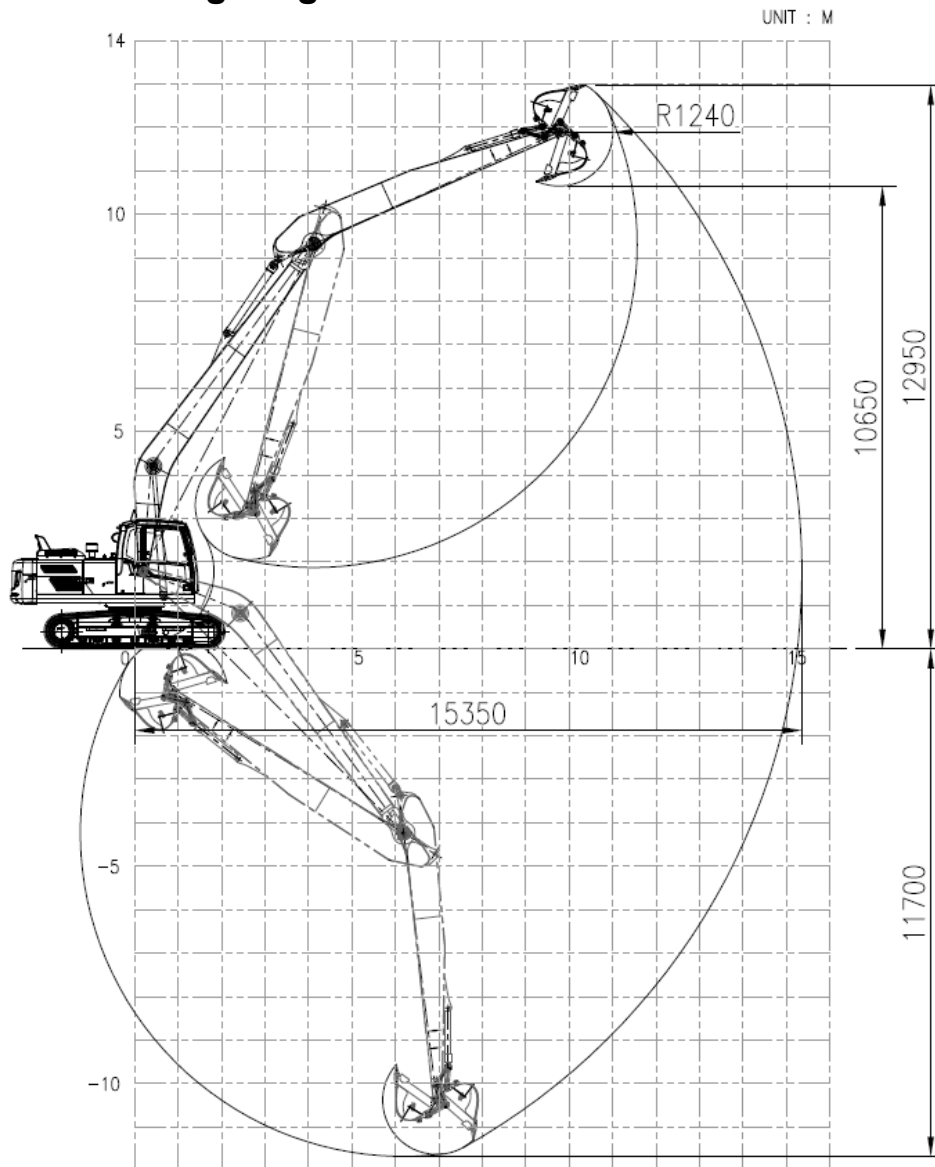
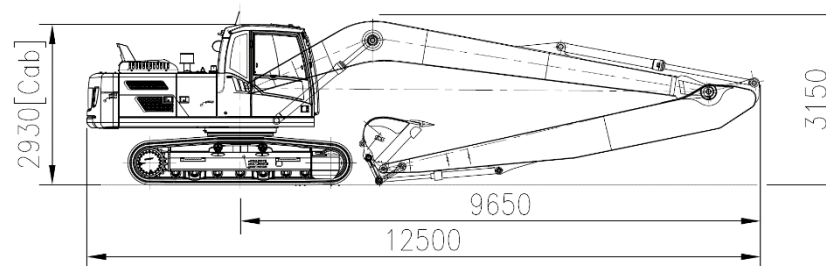


# EC220DL with VLR22-50 (15.3m)

## Working range



## Dimension



## Weight (without bucket)

Base machine (shoe 600mm)	kg	14,069
CWT	Factory CW	kg 4,200
	Additional	kg 1,500
Front (working equipment)	kg	3,680
Total	kg	23,449

## Component

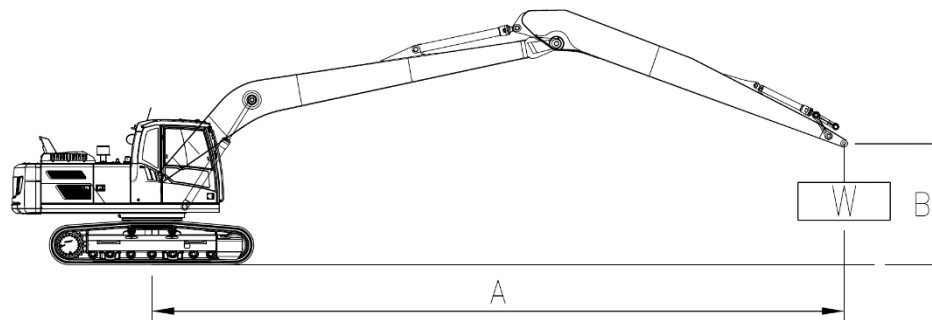
LR kit	Boom length	m	8.5
	Arm length	m	6.2
Cylinder	Boom		EC220D
	Arm		EC220D
	Bucket		EC140D
Linkage (C/rod & Yoke)			EC140D
Breakout force-bucket (power boost)		kN	97.2 (SAEJ1179)
Tearout force-arm (power boost)		kN	61.1 (SAEJ1179)
Recommended bucket	GP Bucket	m <sup>3</sup> /kg	0.51 / 480 (Density:1,800kg/m3)

# EC220DL with VLR22-50 (15.3m)

## Lifting capacity

At arm end without bucket.

- Implement pressure : 350 kgf/cm<sup>2</sup>
- Power Boost pressure : 370 kgf/cm<sup>2</sup>



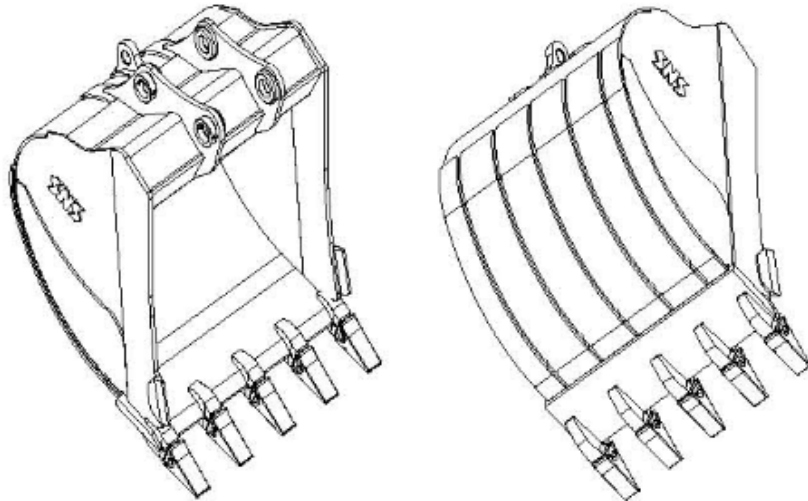
A \ B	1.5m		3.0m		4.5m		6.0m		7.5m		9.0m		10.5m		12.0m		13.5m		Max. REACH			
	Along UC	Across UC	Along UC	Across UC	Along UC	Across UC	Along UC	Across UC	Along UC	Across UC	Along UC	Across UC	Along UC	Across UC	Along UC	Across UC	Along UC	Across UC	Along UC	Across UC	M	
10.5m														*1850	*1850					*1350	*1350	@11.04
9.0m														*2100	*2100	*1400	*1400			*1290	*1290	@12.09
7.5m														*2150	*2150	*2110	*2110			*1260	*1260	@12.88
6.0m														*2290	*2290	*2240	2070			*1260	*1260	@13.46
4.5m											*2660	*2660	*2480	*2480	*2350	1990	*1760	1560	*1280	*1280	@13.84	
3.0m			*8430	*8430	*5700	*5700	*4240	*4240	*3470	*3470	*3010	*3010	*2710	2410	*2500	1910	*2110	1510	*1320	*1320	@14.06	
1.5m					*7390	*7390	*5160	*5160	*4030	3780	*3380	2890	*2950	2270	*2660	1810	*2330	1460	*1390	1340	@14.11	
0.0m			*2500	*2500	*6190	*6190	*5900	4700	*4530	3490	*3710	2700	*3180	2150	2810	1730	2330	1410	*1500	1320	@14.00	
-1.5m	*2400	*2400	*3350	*3350	*6000	*6000	*6390	4410	*4890	3280	*3980	2550	3330	2040	2740	1660	*2100	1370	*1640	1340	@13.72	
-3.0m	*3460	*3460	*4400	*4400	*6720	6430	*6620	4270	*5110	3150	4040	2460	3250	1970	2690	1620			*1840	1400	@13.26	
-4.5m	*4550	*4550	*5600	*5600	*7920	6450	*6620	4230	5170	3100	3990	2410	3220	1950	2690	1610			*2140	1510	@12.61	
-6.0m	*5740	*5740	*6990	*6990	*8500	6560	*6400	4270	*5050	3120	4000	2420	3240	1960					*2600	1700	@11.73	
-7.5m	*7090	*7090	*8660	*8660	*7720	6760	*5910	4390	*4700	3190	*3800	2490	*3020	2050					*2990	2030	@10.56	
-9.0m			*8970	*8970	*6510	*6510	*5050	4590	*3990	3360									*3070	2650	@9.00	

unit : kg

- Notes :
1. Machine in "Fine Mode-F"(Power Boost) for lifting capacities.
  2. The above loads are in compliance with SAE J1097 and ISO 10567 Hydraulic Excavator lifting capacity Standards.
  3. Rated loads do not exceed 87% of hydraulic capacity or 75% of tipping load.
  4. Rated loads marked with an asterisk(\*) are limited by hydraulic capacity rather than tipping load..

## EC220DL with VLR22-50 (15.3m)

### ■ GP(General Purpose) Bucket



- Optimal profile being capable of maximum excavation efficiently.
- Eminent abrasive resistant capability ensured by adopting HARDOX400 in critical area.
- Ultimate bending and torsional stiffness imposed in upper beam
- Abrasive resistant material being used in mounting boss with ARM.
- Sided pin type teeth without losing of point.
- Corner digging effect aggrandized by aligning edge teeth with side cutting plate
- Abrasive resistant extra-plate in bottom and side region qualifying HD class performances.
- Welding typed single side cutter .

# EC220DL with VLR22-50 (15.3m)

## GP Bucket Breakdown

